

# Swivel feet plates extended, plastic, style D

## Item description/product images



### Description

**Material:**

Plates, thermoplastic, fiberglass reinforced.  
Anti-slip plate thermoplastic elastomer.

**Version:**

black.

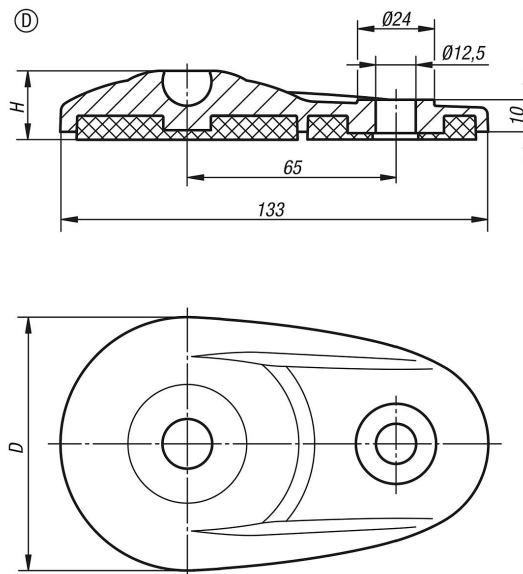
**Order information:**

If the swivel foot plate and the threaded spindle or ball joint are to be supplied assembled, please add the suffix "assembled" to the order number for the plate and the spindle or ball joint.  
(e.g. K0654.30803 and K0421.060151 assembled.)

**Note:**

Swivel feet consist of a plate and a threaded spindle or ball joint. Any plate can be combined with any threaded spindle or ball joint. The anti-slip plate absorbs vibrations and prevents the swivel foot slipping.  
For matching threaded spindles see K0421.  
For matching ball joints see K0422.

## Drawings



## Swivel feet plates extended, plastic

Item No.	style	D	H	Load rating max. kN
K0654.40803	D	80	21	30

