

# Swivel feet plates extended, die-cast zinc, style D

## Item description/product images



### Description

**Material:**

Plate die-cast zinc.  
Anti-slip plate thermoplastic elastomer.

**Version:**

Plate black powder-coated.

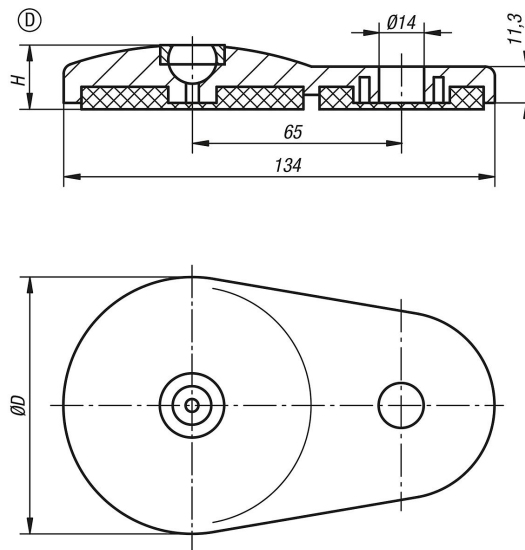
**Order information:**

If the swivel foot plate and the threaded spindle or ball joint are to be supplied assembled, please add the suffix "assembled" to the order number for the plate and the spindle or ball joint.  
(e.g. K0417.30801 and K0421.060151 assembled.)

**Note:**

Swivel feet consist of a plate and a threaded spindle or ball joint. Any plate can be combined with any threaded spindle or ball joint. The anti-slip plate absorbs vibrations and prevents the swivel foot slipping.  
For matching threaded spindles see K0421.  
For matching ball joints see K0422.

## Drawings



## Swivel feet plates extended, die-cast zinc

Item No.	style	D	H	Load rating max. kN
K0417.40801	D	80	20	30

