

Self-aligning pads, swivel angle 14° and 20°, style C, flattened ball, smooth face

Item description/product images



Description

Material:

Body in steel, ball in rust and acid resistant steel.

Version:

Body black oxidized.

Ball bright.

Note:

Self-aligning pads are used to support and clamp unmachined and machined workpieces. They also serve as stops, supports and thrust pads in fixture and toolmaking.

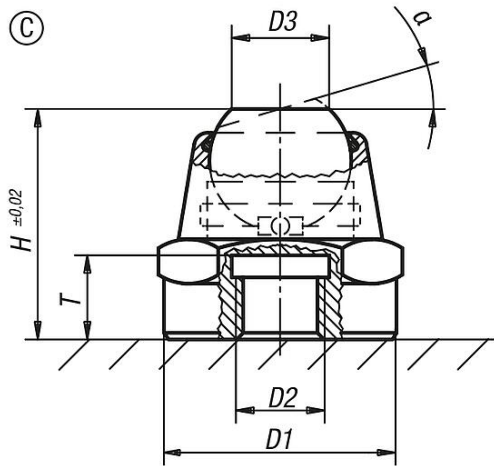
Grub screws or threaded studs can be screwed and glued into thread D2 making a self-aligning pad with external thread.

Ball secured against rotation.

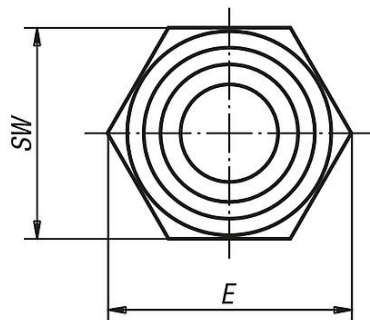
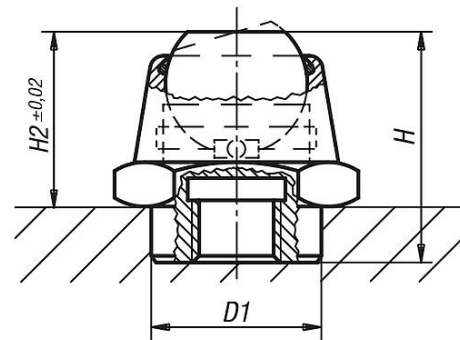
Benefits:

- Self-aligning pads can be swiveled.
- High load forces can be absorbed.
- The built-in o-ring keeps dirt and foreign particles out, which in turn guarantees reliable operation.

Drawings



K0283.1061
K0283.1101
K0283.1161



Self-aligning pads, swivel angle 14° and 20°, style C, flattened ball, smooth face

Order No.	style	α	D1	D2	D3	H	H2	T	E	SW	Ball-Ø	Load rating max. kN (static load only)
K0283.1061	C	14°	12	M6	7	17,5	12,5	6	19,6	17	10	14
K0283.106	C	14°	16	M6	7	17,5	-	6	19,6	17	10	14
K0283.108	C	20°	22	M8	11	26	-	9	27,7	24	16	34
K0283.1101	C	20°	18	M10	11	26	20	9	27,7	24	16	34
K0283.110	C	20°	22	M10	11	26	-	9	27,7	24	16	34
K0283.112	C	20°	22	M12	11	26	-	9	27,7	24	16	34
K0283.1161	C	20°	26	M16	18	40	30	15	41,6	36	25	90
K0283.116	C	20°	34	M16	18	40	-	15	41,6	36	25	90
K0283.120	C	20°	34	M20	18	40	-	15	41,6	36	25	90