

Rest pads, style B

Item description/product images



Description

Material:

Body high carbon steel.

Version:

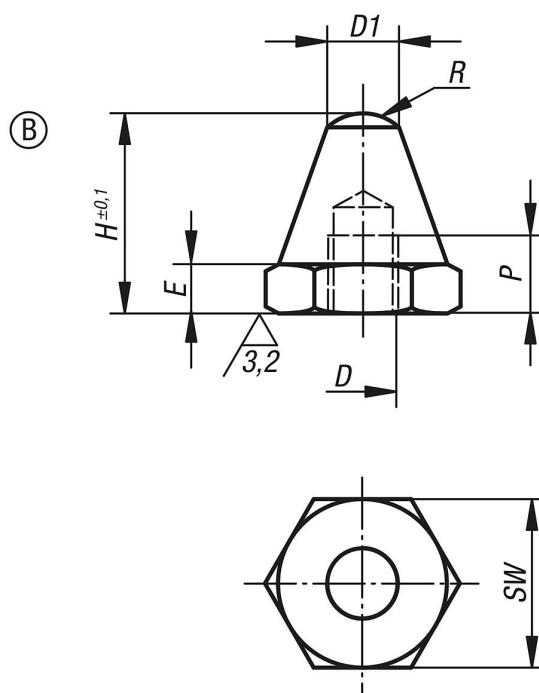
Body tempered and black oxidized.

Note:

Rest pads are for supporting machined and non-machined parts. They can also be used as stops and thrust pads in fixtures and toolmaking.

Studs or grub screws can be screwed and glued into the tapped hole D to make a rest pad with external thread.

Drawings



Order No.	style	D	D1	E	H	P	R	SW
K0294.206012	B	M6	6	3	12,5	4	5	11
K0294.206025	B	M6	6	3	25	7	5	11
K0294.208015	B	M8	8	4	15	6	8,5	13
K0294.208030	B	M8	8	4	30	9	8,5	13
K0294.210020	B	M10	10	5	20	9	9	17
K0294.210040	B	M10	10	5	40	13	9	17
K0294.212025	B	M12	12	6	25	11	12,75	19
K0294.212050	B	M12	12	6	50	16	12,75	19
K0294.216030	B	M16	16	8	30	12	17	24
K0294.216060	B	M16	16	8	60	20	17	24

