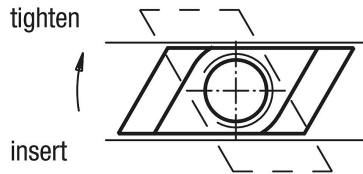


## Nuts for T-slots, rhombic style

### Item description/product images



### Description

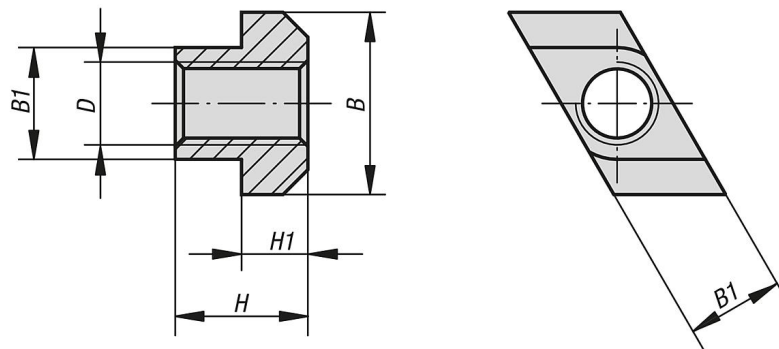
**Material:**  
Carbon steel.

**Version:**  
Tempered to 8 and black oxidized.

**Note:**  
The benefit of rhombic nuts for T-slots is that they can be fitted in the slot from the top. They are particularly useful for long T-slots, or when the configuration on the machine table does not permit clamping screws or nuts for T-slots to be inserted from the side.

**Application:**  
Insert from above then twist in the slot until it stops.

### Drawings



### Nuts for T-slots, rhombic style

Order No.	Slot width	B	B1	D	H	H1
K0379.105	6	10	5,6	M5	8	4
K0379.106	8	13	7,6	M6	10	6
K0379.108	10	15	9,7	M8	12	6
K0379.110	12	18	11,7	M10	14	7
K0379.210	14	22	13,5	M10	16	8
K0379.310	18	28	17,5	M10	20	10
K0379.112	14	22	13,7	M12	16	8
K0379.114	16	25	15,7	M14	18	9
K0379.116	18	28	17,7	M16	20	10
K0379.216	20	32	19,7	M16	24	12
K0379.316	22	35	21,5	M16	28	14
K0379.416	28	44	27,5	M16	36	18
K0379.118	20	32	19,7	M18	24	12
K0379.120	22	35	21,7	M20	28	14
K0379.124	28	44	27,7	M24	36	18
K0379.130	36	54	35,6	M30	44	22
K0379.136	42	65	41,5	M36	52	26

