

Ball studs for ball joints DIN 71803, style C

Item description/product images



Description

Material:

Steel.

Version:

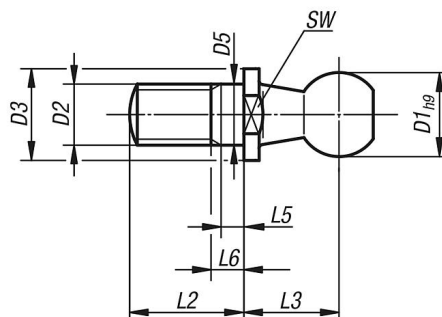
Trivalent passivated.

Note:

The ball studs are spare parts for DIN 71802 ball joints.

Drawings

Form C
with thread and flats



Order No.	style	D1	D2	D3	D5	L2	L3	L5 min.	L6 max.	SW
K0713.0805	C	8	M5	8	5	10,2	9	1,2	4	7
K0713.1006	C	10	M6	10	6	12,5	11	1,2	4	8
K0713.1308	C	13	M8	13	8	16,5	13	1,5	5,3	11
K0713.1610	C	16	M10	16	10	20	16	2,5	7,3	13
K0713.1612	C	16	M12	16	12	20	16	2,5	7,3	13
K0713.1914	C	19	M14x1,5	19	14	28	20	5	10,8	16