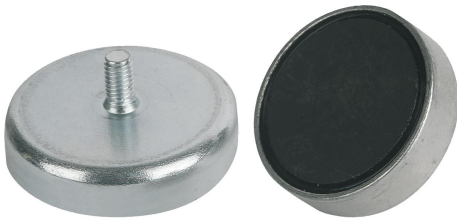


Magnets shallow pot with external thread, hard ferrite, style A

Item description/product images



Description

Material:

Housing, steel.

Magnetic core hard ferrite.

Version:

Housing, electro zinc-plated.

Note:

Shallow pot magnets, shielded system.

Hairline cracks in the magnetic material are unavoidable for technical reasons in D=80, D=100 and D=125 versions. They do not impair the attracting function of the magnets in any way.

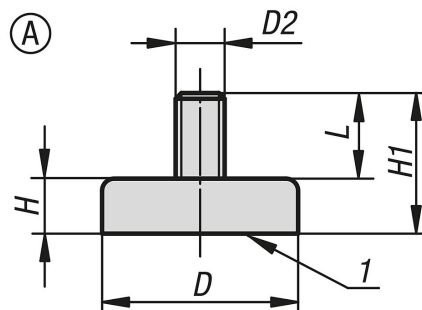
Temperature range:

max. 200°C.

Drawing reference:

1) magnetic face

Drawings



Order No.	style	D	D2	L	H	H1	Magnetic force N
K0549.21	A	10 ±0,15	M3	7	4,5	11,5	4
K0549.22	A	13 ±0,15	M3	7	4,5	11,5	10
K0549.23	A	16 ±0,15	M3	7	4,5	11,5	18
K0549.24	A	20 ±0,15	M3	7	6	13	30
K0549.25	A	25 ±0,15	M4	8	7	15	40
K0549.26	A	32 ±0,20	M4	8	7	15	80