

## Oil level gauges, style A, without thermometer

### Item description/product images



### Description

#### Material:

Housing thermoplastic polyamide.  
O-ring and flat seal rubber (NBR).  
Reflector aluminum.  
Screw and hex nut steel.

#### Version:

Transparent housing, high mechanical stability, non-ageing, temperature resistant up to 100 °C.  
Pressure resistant at 20 °C up to 10 bar, at 60 °C up to 8 bar.  
Reflector painted white, line marks and scale black.  
Screw and hexagon nut, electro zinc-plated.

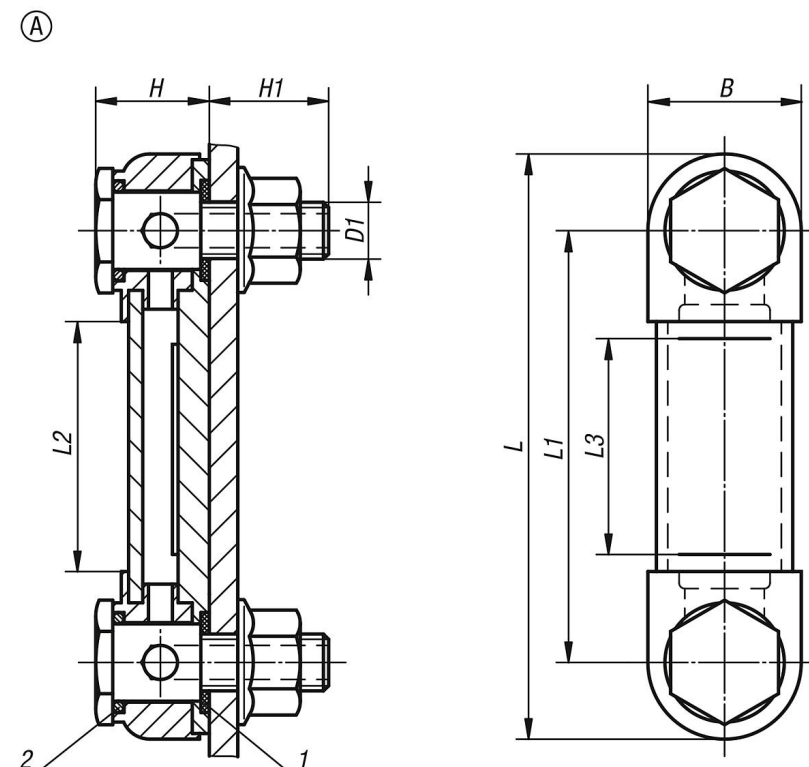
#### Note:

The oil level gauges can either be fastened as shown in the illustration or screwed directly into a tapped hole. center distance for the fastening holes =  $L1 \pm 0.3$ .  
The max. tightening torque for the fastening screws is 5 Nm.

#### Drawing reference:

- 1) flat seal
- 2) O-ring

### Drawings



**Oil level gauges, style A, without thermometer**

Item No.	style	B	D1	H	H1	L	L1	L2	L3	Number of fastening screws
<b>K0443.1076</b>	A	27	M10	20	21	103	76	44	37	2
<b>K0443.1127</b>	A	27	M12	19	18	151	127	95	80	2