

## Oil level gauges, style A, without thermometer

### Item description/product images



### Description

**Material:**

Housing steel.  
Viewing glass thermoplastic polyamide.  
O-ring and flat seal rubber (NBR).  
Reflector aluminum.  
Screw and hex nut steel.

**Version:**

Housing painted black.  
Transparent viewing glass, high mechanical stability, non-ageing, temperature resistant with oil up to 100 °C, with water up to 70 °C.  
Reflector painted white, markings and scale black.  
Screw and hexagon nut, electro zinc-plated.

**Note:**

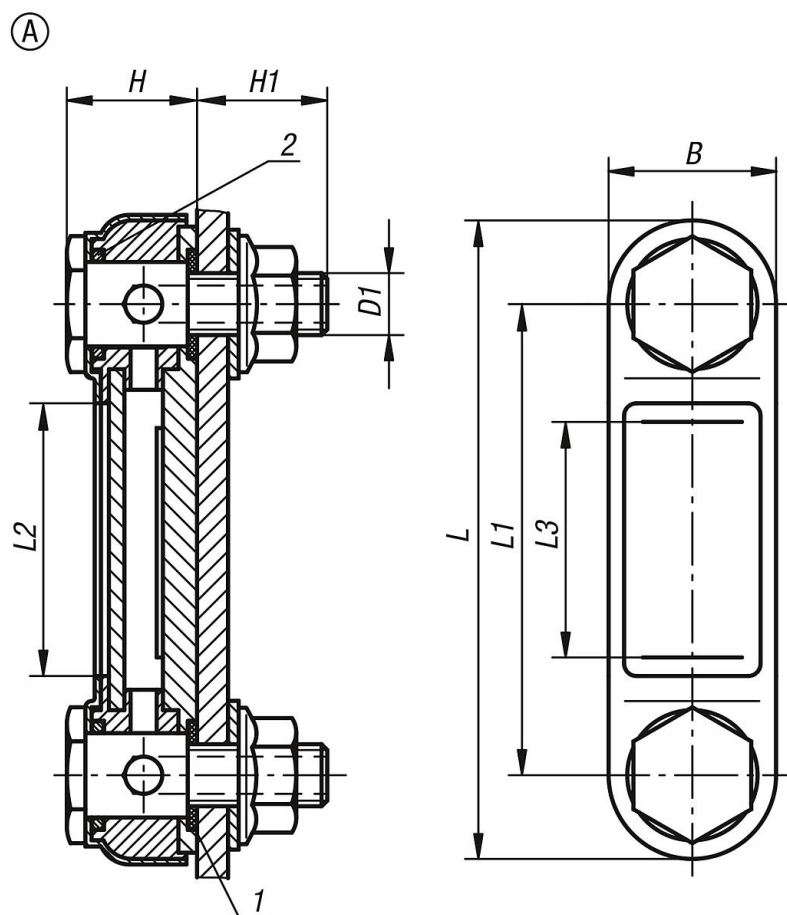
The oil level gauges can either be fastened as shown in the illustration or directly in the threaded hole.  
center distance for the fastening holes =  $L1 \pm 0.5$ .  
The oil level gauges are suitable for tanks operating without pressure.  
Maximum operating temperature: 100 °C.

**Drawing reference:**

- 1) flat seal
- 2) O-ring

Oil level gauges, style A, without thermometer

Drawings



Order No.	style	B	D1	H	H1	L	L1	L2	L3	Number of fastening screws
K0444.107610	A	31	M10	24,5	20	107	76	39	37	2
K0444.107612	A	31	M12	24,5	20	107	76	39	37	2
K0444.112710	A	31	M10	24,5	20	156	127	90	80	2
K0444.112712	A	31	M12	24,5	20	156	127	90	80	2
K0444.125412	A	34	M12	33	17	286	254	200	178	2