

Screw plugs style B, with fill symbol and vent hole

Item description/product images



Description

Material:

Thermoplastic polyamide 66

Version:

Black. Flat seal asbestos-free

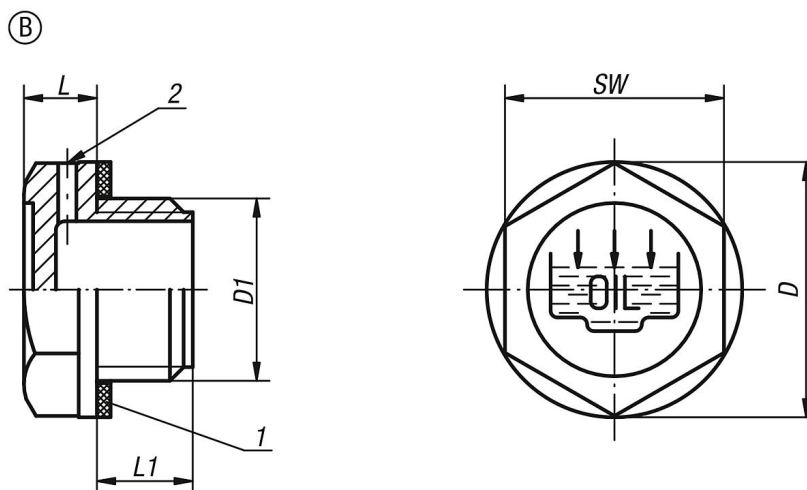
Note:

Temperature resistant to 100°C.

Drawing reference:

- 1) flat seal
- 2) vent hole

Drawings



Order No.	style	D	D1	L	L1	SW	Tightening torque max. Nm
K0454.219014	B	19,5	G1/4	7	9	17	5
K0454.222038	B	22	G3/8	7,5	10	18	8
K0454.228012	B	28	G1/2	7,5	11	24	9
K0454.234034	B	34	G3/4	9	11	30	11
K0454.242100	B	42	G1	10,5	12	35	-
K0454.251114	B	51	G1 1/4	12	13,5	42	-
K0454.258112	B	58	G1 1/2	10	14,5	50	-
K0454.274200	B	74	G2	13,5	16	64	-
K0454.2191415	B	19,5	M14X1,5	7	9	17	5
K0454.2211615	B	21	M16X1,5	7,5	10	18	6
K0454.2261815	B	26	M18X1,5	7,5	10	21	7
K0454.2282015	B	28	M20X1,5	8	10	24	8
K0454.2282215	B	28	M22X1,5	8	11	24	10
K0454.2524015	B	52	M40X1,5	10	13	42	-

