

Pull handles, style A

Item description/product images

19"



Description

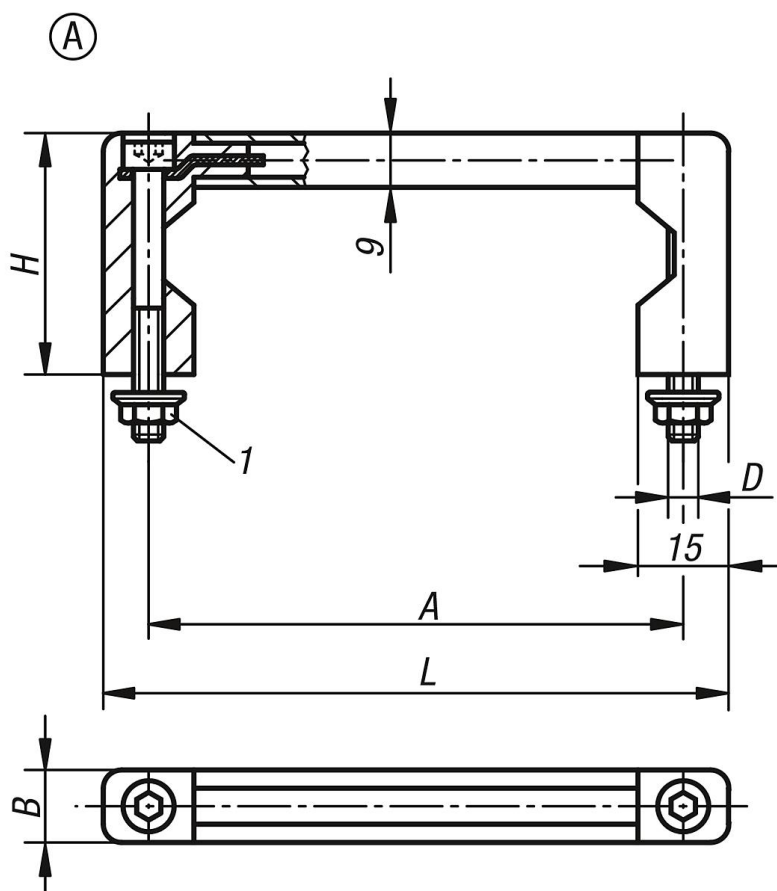
Material:

Grip aluminum.
Legs glass-bead reinforced polyamide.

Version:

Grip matt-finished and natural tone or black anodized.
Legs fine structure semi-matt, black.

Drawings



All-purpose apparatus handles

Order No.	Style	Main color	A	B	D	H	L	Load capacity N
K0216.05501	A	black	55	12	M5	40	70	1000

Pull handles, style A

Order No.	Style	Main color	A	B	D	H	L	Load capacity N
K0216.08801	A	black	88	12	M5	40	103	1000
K0216.10001	A	black	100	12	M5	40	115	1000
K0216.12001	A	black	120	12	M5	40	135	1000
K0216.18001	A	black	180	12	M5	40	195	1000
K0216.23501	A	black	235	12	M5	40	250	1000
K0216.05503	A	natural	55	12	M5	40	70	1000
K0216.08803	A	natural	88	12	M5	40	103	1000
K0216.10003	A	natural	100	12	M5	40	115	1000
K0216.12003	A	natural	120	12	M5	40	135	1000
K0216.18003	A	natural	180	12	M5	40	195	1000
K0216.23503	A	natural	235	12	M5	40	250	1000