

Ball grips revolving with internal thread

Item description/product images



Description

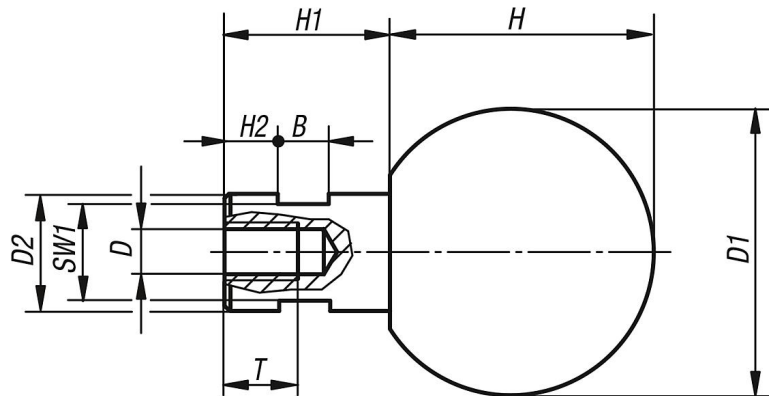
Material:

Ball thermoset PF 31.
bushing steel or stainless steel 1.4305 (AISI 303 equivalent).

Version:

Ball black glossy.
Steel trivalent blue passivated.
Stainless steel bright.

Drawings



Item No.	Component material	B	D	D1	D2	H	H1	H2	SW1	T
K0726.060	steel	5	M6	25	10	22,5	15	5	8	12,5
K0726.080	steel	6	M8	32	13	29,5	19	6	10	15
K0726.100	steel	8	M10	40	16	37	24	8	13	19
K0726.120	steel	10	M12	50	20	47	31	12	17	21,5
K0726.1060	stainless steel	5	M6	25	10	22,5	15	5	8	12,5
K0726.1080	stainless steel	6	M8	32	13	29,5	19	6	10	15
K0726.1100	stainless steel	8	M10	40	16	37	24	8	13	19
K0726.1120	stainless steel	10	M12	50	20	47	31	12	17	21,5