

Crank handles aluminium with safety grip and square socket

Item description/product images



Description

Material:

Crank aluminum.
Cylinder grip thermoplastic and steel.

Version:

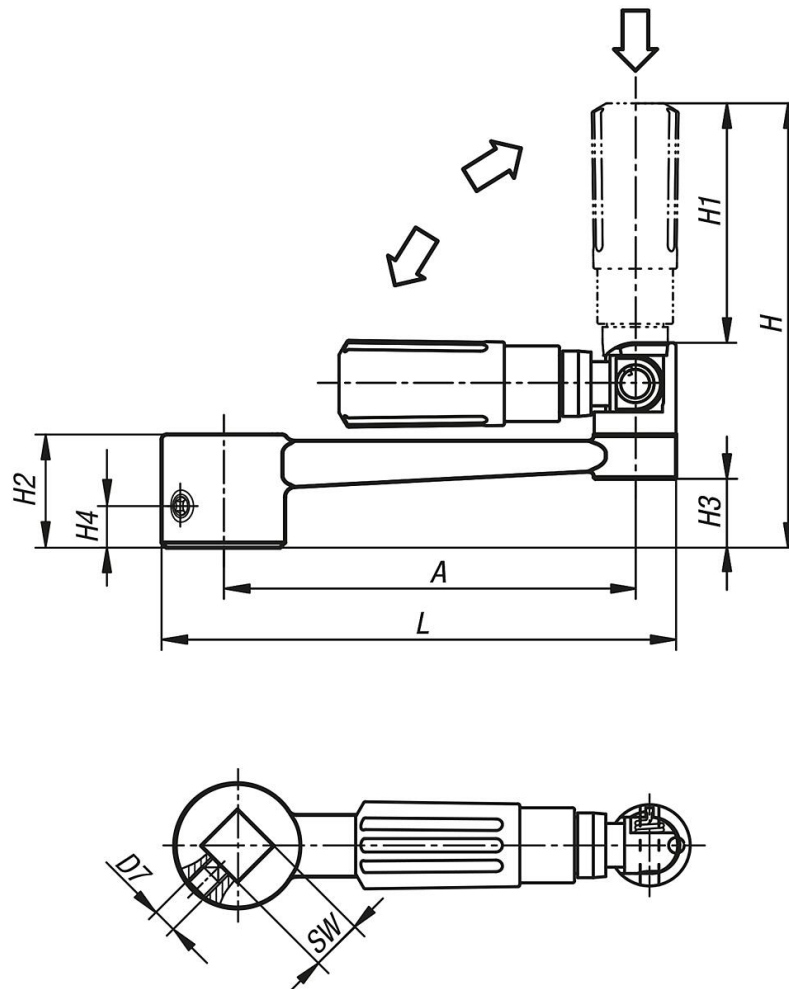
Crank black powder-coated.
Thermoplastic black gray.
Steel parts black oxidized.

Note:

Similar to DIN 469.
Versions with transverse bore are secured using the ISO 4027 (DIN 914) grub screw.

Crank handles aluminium with safety grip and square socket

Drawings



Order No.	Version 1	Version 2	A	SW	D	D3	D7	H	H1	H2	H3	H4	L
K0998.2110	square socket	without transverse hole	80	10	24	16	-	87,5	47,5	22	13,6	-	100
K0998.2212	square socket	without transverse hole	100	12	28	20	-	107	58,5	25	16	-	124
K0998.2314	square socket	without transverse hole	125	14	30	25	-	139	82	28	15,8	-	153
K0998.2417	square socket	without transverse hole	160	17	34	25	-	143	82	32	19,6	-	190
K0998.21106	square socket	with transverse bore	80	10	24	16	M6	87,5	47,5	22	13,4	7,5	100
K0998.22126	square socket	with transverse bore	100	12	28	20	M6	106,9	58,4	26	16	7,5	124
K0998.23146	square socket	with transverse bore	125	14	30	26	M6	139,1	82,1	28	15,8	7,5	153
K0998.24176	square socket	with transverse bore	160	17	34	26	M6	143,1	82,1	32	19,6	7,5	190