

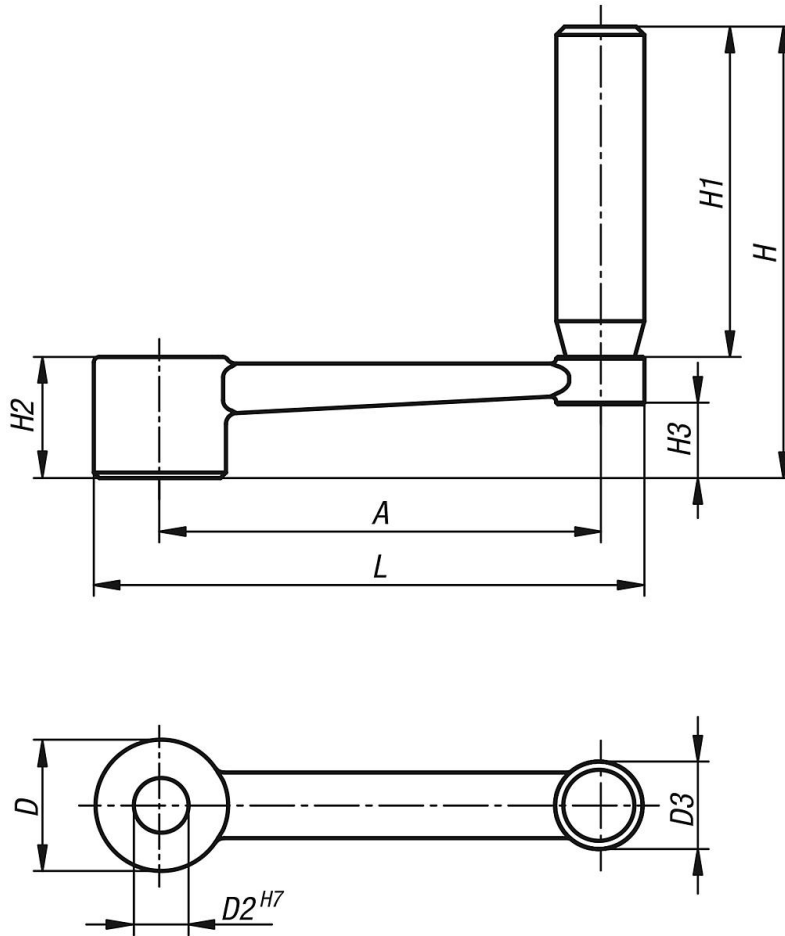
**Crank handles stainless steel, revolving grip, reamed hole**Item description/product images

---

**Description****Version:**  
Bright.**Note:**  
Similar to DIN 469.

Crank handles stainless steel, revolving grip, reamed hole

Drawings



Order No.	Version 1	Version 2	D	D2	D3	H	H1	H2	H3	A	L
K0999.3110	reamed hole	without transverse hole	24	10	16	82	60	22	13,4	80	100
K0999.3212	reamed hole	without transverse hole	28	12	20	98	72	26	16	100	124
K0999.3314	reamed hole	without transverse hole	30	14	26	118	90	28	15,8	125	153
K0999.3417	reamed hole	without transverse hole	34	17	26	122	90	32	19,6	160	190