

Crank handles with safety grip, without keyway

Item description/product images



Description

Material:

Crank thermoplastic.

Cylinder grip thermoplastic and steel.

Version:

Black gray thermoplastic.

Steel parts black oxidized.

Note:

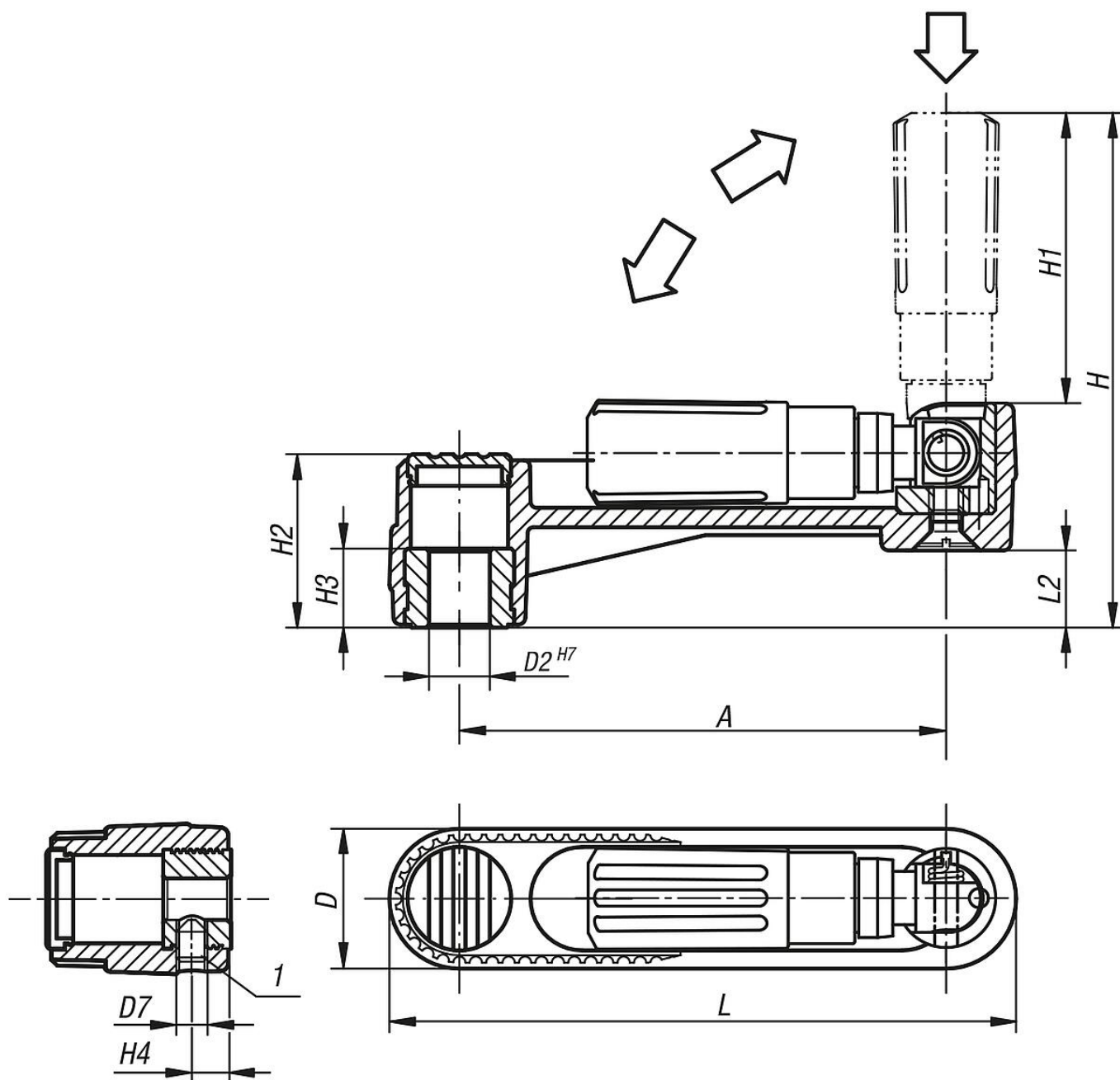
The hub cover is supplied unassembled. Two actions must be made to bring the safety cylinder grip into an operating position:

- Swing the grip out around the pivot shaft until it stops (90°).
- Push the grip in an axial direction into the lock position. The pushed-in position is the most comfortable for cranking. The grip swings back automatically after releasing.

Versions with transverse bore are secured using the ISO 4027 (DIN 914) grub screw.

Crank handles with safety grip, without keyway

Drawings



Crank handles with safety grip

Item No.	Version 1	Version 2	Component material	A	D	D2	D7	H	H1	H2	H3	H4	L	L2
K0268.1108	reamed hole	without transverse hole	thermoplastic	80	24	8	-	84,2	47,5	28,5	13	-	104	12,7
K0268.1110	reamed hole	without transverse hole	thermoplastic	80	24	10	-	84,2	47,5	28,5	13	-	104	12,7
K0268.1210	reamed hole	without transverse hole	thermoplastic	100	29	10	-	104,2	58,5	35,5	13	-	129	15,7
K0268.1212	reamed hole	without transverse hole	thermoplastic	100	29	12	-	104,2	58,5	35,5	13	-	129	15,7
K0268.1312	reamed hole	without transverse hole	thermoplastic	125	36	12	-	139	82	44	18,5	-	161	19,5
K0268.1314	reamed hole	without transverse hole	thermoplastic	125	36	14	-	139	82	44	18,5	-	161	19,5
K0268.11086	reamed hole	with transverse bore	thermoplastic	80	24	8	M6	84,2	47,5	28,5	13	7,5	104	12,7
K0268.11106	reamed hole	with transverse bore	thermoplastic	80	24	10	M6	84,2	47,5	28,5	13	7,5	104	12,7
K0268.12106	reamed hole	with transverse bore	thermoplastic	100	29	10	M6	104,2	58,5	35,5	13	7,5	129	15,7
K0268.12126	reamed hole	with transverse bore	thermoplastic	100	29	12	M6	104,2	58,5	35,5	13	7,5	129	15,7

Crank handles with safety grip, without keyway

Item No.	Version 1	Version 2	Component material	A	D	D2	D7	H	H1	H2	H3	H4	L	L2
K0268.13126	reamed hole	with transverse bore	thermoplastic	125	36	12	M6	139	82	44	18,5	7,5	161	19,5
K0268.13146	reamed hole	with transverse bore	thermoplastic	125	36	14	M6	139	82	44	18,5	7,5	161	19,5