

## Quarter-turn locks with cylinder, small version

### Item description/product images



### Description

**Material:**

Housing and actuator die-cast zinc.

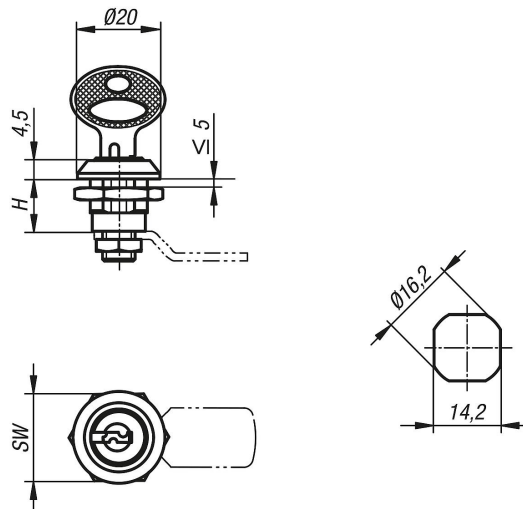
**Version:**

Housing and actuator chrome-plated.

**Note:**

Small quarter turn with cylinder, deployable right or left. The lock can be installed pre-assembled. The fastening nut is an earthing nut with teeth one side. These quarter turns with cylinder are supplied with 2 keys. The key can be removed in both positions (open and closed). All cylinders are identical i.e. all locks can be opened with the same key.

### Drawings



Item No.	Actuation	H	SW
K0520.131	Key single-key system	13	20