

Quarter-turn lock with wing grip

Item description/product images



Description

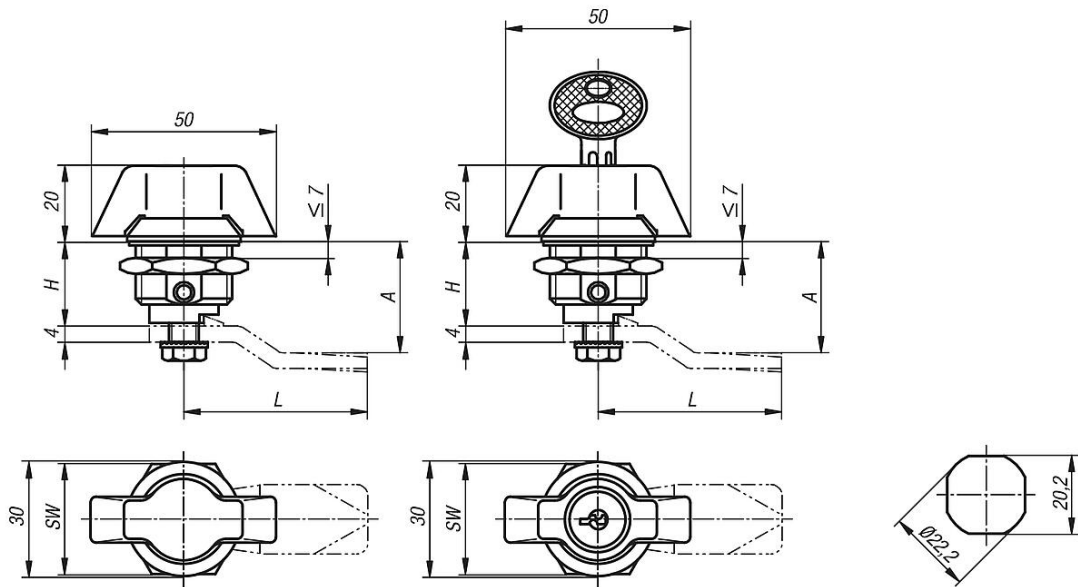
Material:

Housing and nut die-cast zinc.
 Grip plastic PA6 GF 30.
 Flat seal rubber.

Version:

Housing and nut chrome-plated.
 Grip black.

Drawings



Order No.	Actuation	H	SW
K0525.1183	grip	18,5	27
K0525.2183	lockable grip	18,5	27