

## Swivel feet plates, style B

### Item description/product images

### Description

#### Material:

Plate die-cast zinc or stainless steel 1.4305 (AISI 303 equivalent).  
Anti-slip plate thermoplastic elastomer.

#### Version:

Die-cast zinc plate, black powder-coated.  
Stainless steel plate, bright.

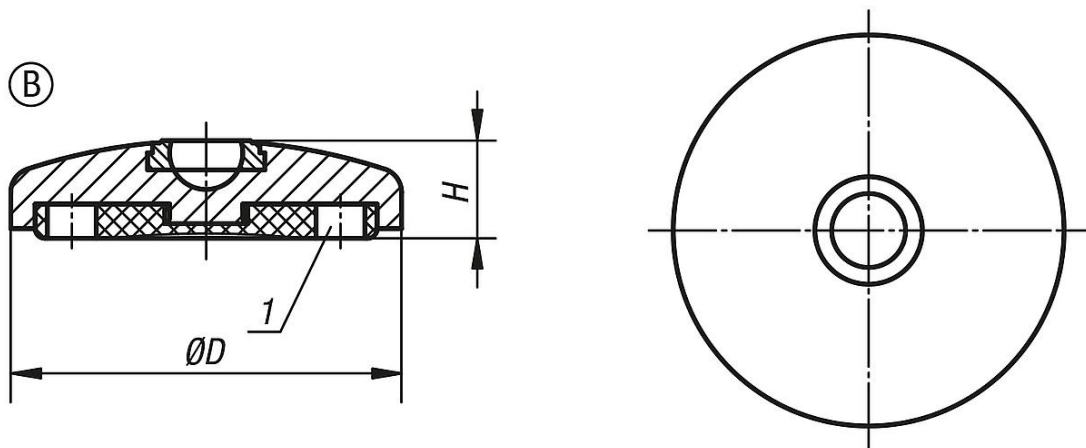
#### Order information:

If the swivel foot plate and the threaded spindle or the ball joint are to be supplied assembled, please add the suffix "assembled" to the order number for the plate and the spindle or the ball joint.  
(e.g. K0416.10301 and K0421.060151 assembled).

#### Note:

Swivel feet consist of a plate and a threaded spindle or ball joint. Any plate can be combined with any threaded spindle or ball joint. The anti-slip plate absorbs vibrations and prevents the swivel foot slipping.  
For matching threaded spindles see K0421.  
For matching ball joints see K0422.

### Drawings



Order No.	style	Main material	D	A	H	Load rating max. kN
K0416.20301	B	zinc	30	-	20	20
K0416.20401	B	zinc	40	-	20	30
K0416.20451	B	zinc	45	-	20	30
K0416.20501	B	zinc	50	-	20	30
K0416.20601	B	zinc	60	-	20	30
K0416.20801	B	zinc	80	-	20	30
K0416.21001	B	zinc	100	-	20	35
K0416.21201	B	zinc	120	-	20	35
K0416.20302	B	stainless steel	30	-	20	20
K0416.20402	B	stainless steel	40	-	20	30
K0416.20452	B	stainless steel	45	-	20	30
K0416.20502	B	stainless steel	50	-	20	35
K0416.20602	B	stainless steel	60	-	20	35

**Swivel feet plates, style B**

Order No.	style	Main material	D	A	H	Load rating max. kN
<b>K0416.20802</b>	B	stainless steel	80	-	20	35
<b>K0416.21002</b>	B	stainless steel	100	-	20	40
<b>K0416.21202</b>	B	stainless steel	120	-	20	40