

Swivel feet plates, style C

Item description/product images



Description

Material:

Plates die-cast zinc or stainless steel 1.4305 (AISI 303 equivalent).

Version:

Die-cast zinc plate, black powder-coated.

Stainless steel plate, bright.

Order information:

If the swivel foot plate and the threaded spindle or the ball joint are to be supplied assembled, please add the suffix "assembled" to the order number for the plate and the spindle or the ball joint.

(e.g. K0416.10301 and K0421.060151 assembled).

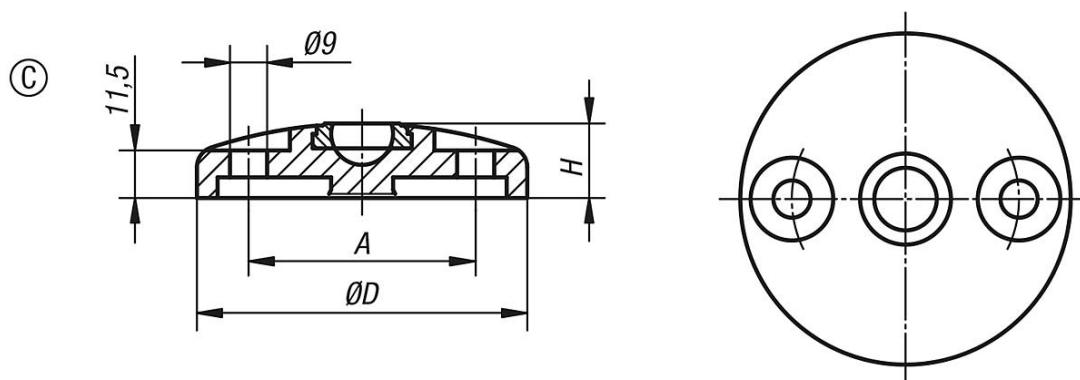
Note:

Swivel feet consist of a plate and a threaded spindle or ball joint. Any plate can be combined with any threaded spindle or ball joint.

For matching threaded spindles see K0421.

For matching ball joints see K0422.

Drawings



Order No.	style	Main material	D	A	H	Load rating max. kN
K0416.30801	C	zinc	80	55	18	30
K0416.31001	C	zinc	100	74	18	35
K0416.31201	C	zinc	120	94	18	35
K0416.30802	C	stainless steel	80	55	18	35
K0416.31002	C	stainless steel	100	74	18	40
K0416.31202	C	stainless steel	120	94	18	40