

Levelling foot plates, plastic, style A

Item description/product images



Description

Material:

Plates, thermoplastic, glass-fibre reinforced.

Version:

black.

Order information:

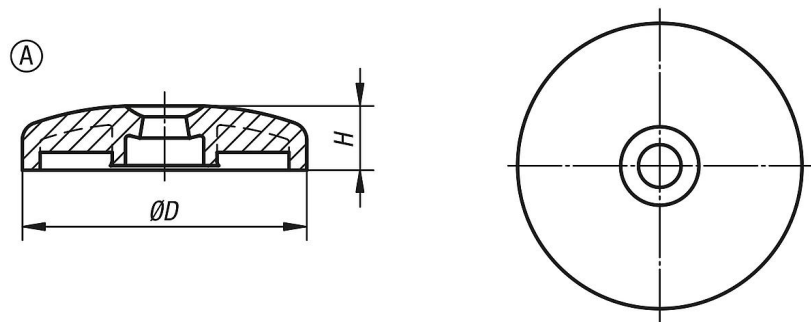
If the levelling foot plate and the threaded spindle are to be supplied assembled, please add the suffix "assembled" to the order number for the plate and spindle. (e.g. K0423.1060 and K0427.120661 assembled.)

Note:

Levelling feet consist of a plate and a threaded spindle. Any plate can be combined with any threaded spindle.

For matching threaded spindles, see K0427.

Drawings



Levelling foot plates plastic

Order No.	style	D	H	Load rating max. kN
K0423.1060	A	60	18	12
K0423.1080	A	80	18	12
K0423.1100	A	100	18	12