

## Levelling feet plates, plastic, style B

### Item description/product images



### Description

#### Material:

Plates, thermoplastic, fiberglass reinforced.  
Anti-slip plate thermoplastic elastomer.

#### Version:

black.

#### Order information:

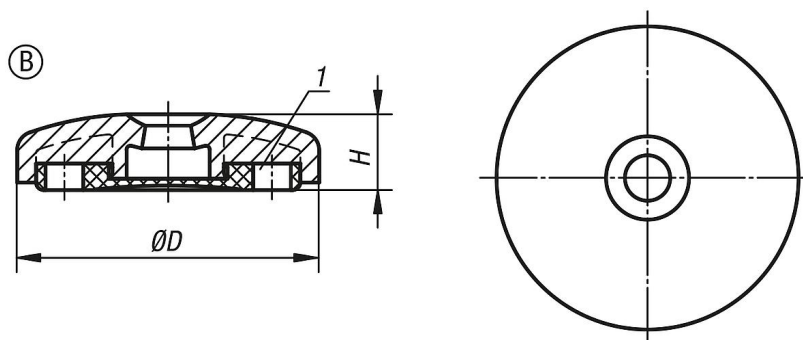
If the levelling foot plate and the threaded spindle are to be supplied assembled, please add the suffix "assembled" to the order number for the plate and spindle. (e.g. K0423.1060 and K0427.120661 assembled.)

#### Note:

Levelling feet consist of a plate and a threaded spindle. Any plate can be combined with any threaded spindle.

The anti-slip plate absorbs vibrations and prevents the levelling foot slipping. For matching threaded spindles see K0427.

### Drawings



### Levelling feet plates plastic

Order No.	style	D	H	Load rating max. kN
K0423.2060	B	60	20	12
K0423.2080	B	80	20	12
K0423.2100	B	100	20	12