

Levelling foot plates, plastic, heavy-duty version, style D

Item description/product images



Description

Material:

Plates, thermoplastic, fiberglass reinforced.
Anti-slip plate thermoplastic elastomer.

Version:

black.

Order information:

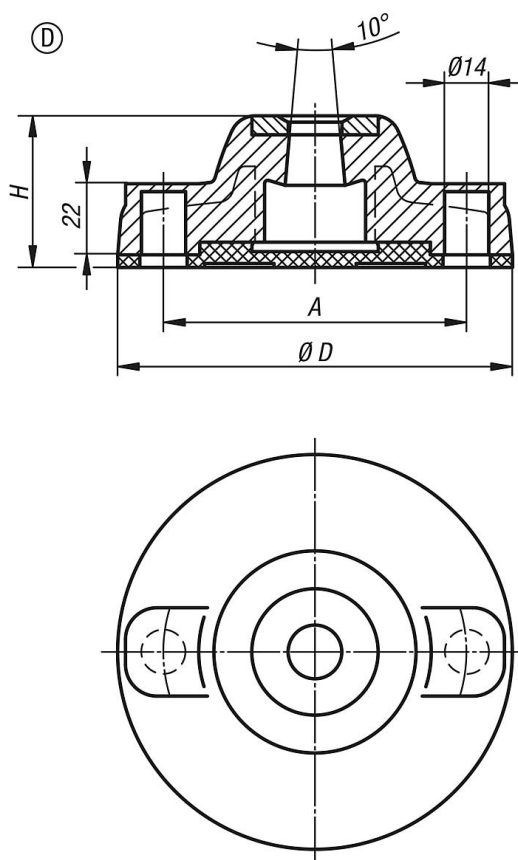
If the levelling foot plate and the threaded spindle are to be supplied assembled, please add the suffix "assembled" to the order number for the plate and spindle. (e.g. K0424.31251 and K0427.120661 assembled.)

Note:

Levelling feet consist of a plate and a threaded spindle. Any plate can be combined with any threaded spindle.

The anti-slip plate absorbs vibrations and prevents the levelling foot slipping. For matching threaded spindles see K0427.

Drawings



Item No.	style	D	A	H	Load rating max. kN
K0424.41251	D	125	96	48	18
K0424.41751	D	175	135	49	25

