

Levelling foot plates extended die-cast zinc, style C

Item description/product images



Description

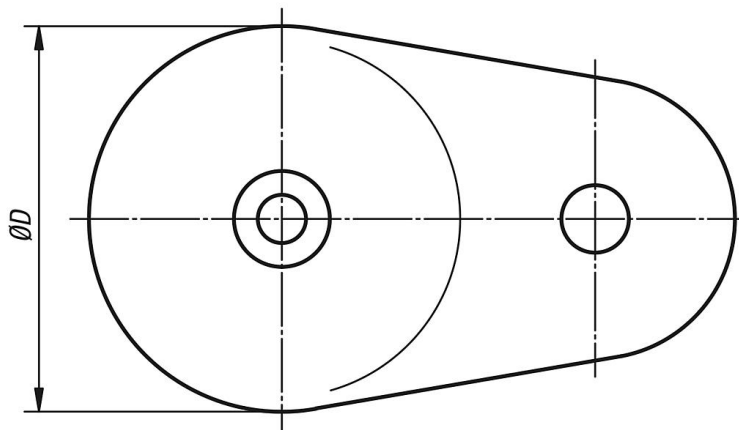
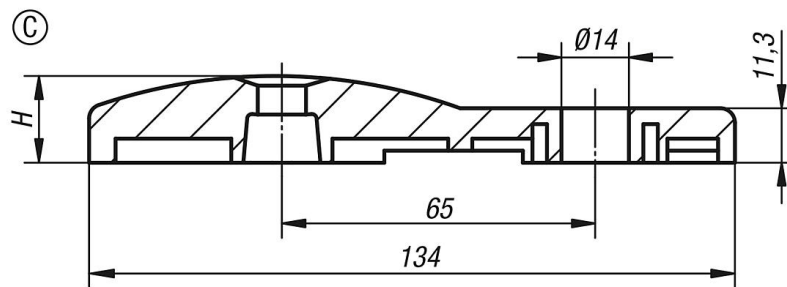
Material:
Die-cast zinc plates

Version:
Plate black powder-coated.

Order information:
If the levelling foot plate and the threaded spindle are to be supplied assembled, please add the suffix "assembled" to the order number for the plate and spindle. (e.g. K0426.30801 and K0427.120661 assembled.)

Note:
Leveling feet consist of a plate and a threaded spindle. Any plate can be combined with any threaded spindle. For matching threaded spindles see K0427.

Drawings



Levelling foot plates extended die-cast zinc

Item No.	style	D	H	Load rating max. kN
K0426.30801	C	80	18	35

