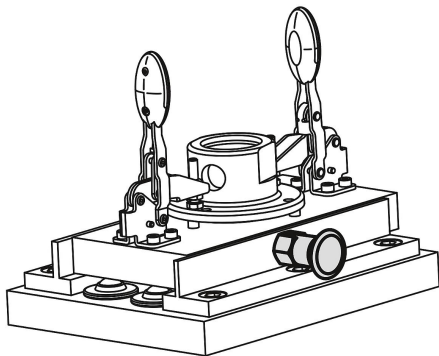


## Indexing plungers with locked mark, style A

### Item description/product images



### Description

**Material:**

Indexing pin steel.  
Threaded sleeve steel.  
Mushroom grip, dark gray thermoplastic.  
Lock mark aluminum.

**Version:**

Indexing pin steel, hardened, ground and black oxidized.  
Threaded body black oxidized.  
Lock mark red anodized.

**Note:**

Indexing plungers are used to prevent any change in locking position due to lateral forces. A new locking position can only be set after the plunger has been manually disengaged.

When the lock mark is visible the plunger is either completely disengaged or only partly in the index position.

**On request:**

Special versions.

**Accessory:**

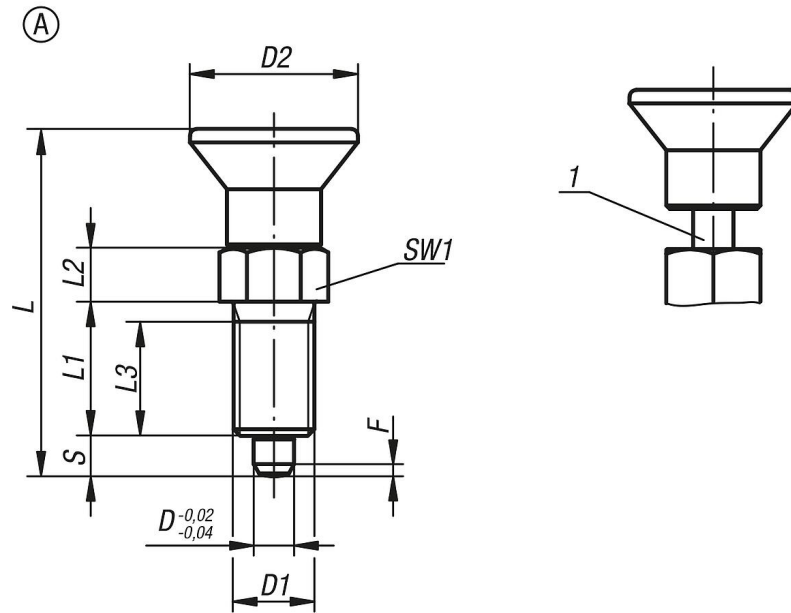
Spacer rings K0665

**Drawing reference:**

1) marking ring

## Indexing plungers with locked mark, style A

### Drawings



Order No.	style	D	D1	D2	L	L1	L2	L3	Travel S	SW1	Fx30°	Spring force initial pressure F1 approx. N	Spring force final pressure F2 approx. N
K1149.71105	A	5	M10x1	21	43,5	17	7	15	5	13	1,3	5	12
K1149.71206	A	6	M12x1,5	25	51,7	20	8	17	6	14	1,8	6	14
K1149.71308	A	8	M16x1,5	33	68	26	10	23	8	19	2,3	15	35