

## Spring hinges aluminum profile, 1.3 Nm, spring closed

### Item description/product images



### Description

**Material:**  
aluminum 6060 T5.  
End caps PA 6.6.  
Washers POM.

**Version:**  
Black anodized.  
Colorless anodized.

**Note:**  
These hinges have steel tension springs which enables doors and hatches to open or close automatically.  
Opening angle 180°.

Spring torque:  
M(0°): 0.5 Nm / M(90°): 0.7 Nm / M(180°): 1 Nm

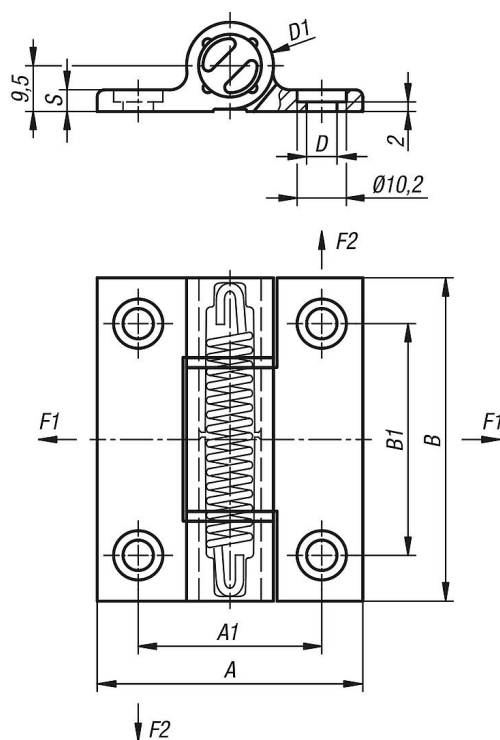
These hinges have a more than 10,000 cycle service life.

Fastened using DIN 912/EN ISO 4762 socket head screws.

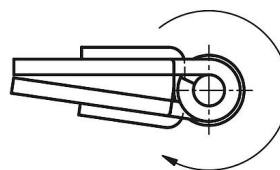
**Temperature range:**  
From -20°C to +80°C

**Accessory:**  
Socket head screws with hexagon socket DIN 912/EN ISO 4762.

### Drawings



Hinges with closing spring



**Spring hinges aluminum profile, 1.3 Nm, spring closed**

Order No.	Main color	Surface finish body	A	A1	B	B1	D	D1	S	F1 N	F2 N
<b>K1181.556711</b>	black	anodized	55	38	67	48	6,3	18	4,5	5000	4200
<b>K1181.55671</b>	colorless	anodized	55	38	67	48	6,3	18	4,5	5000	4200