

## Pull Handles

Item description/product images

# 19"



### Description

**Material:**

Grip aluminum.  
Legs and cap PA 6.  
Tapped bushing steel.

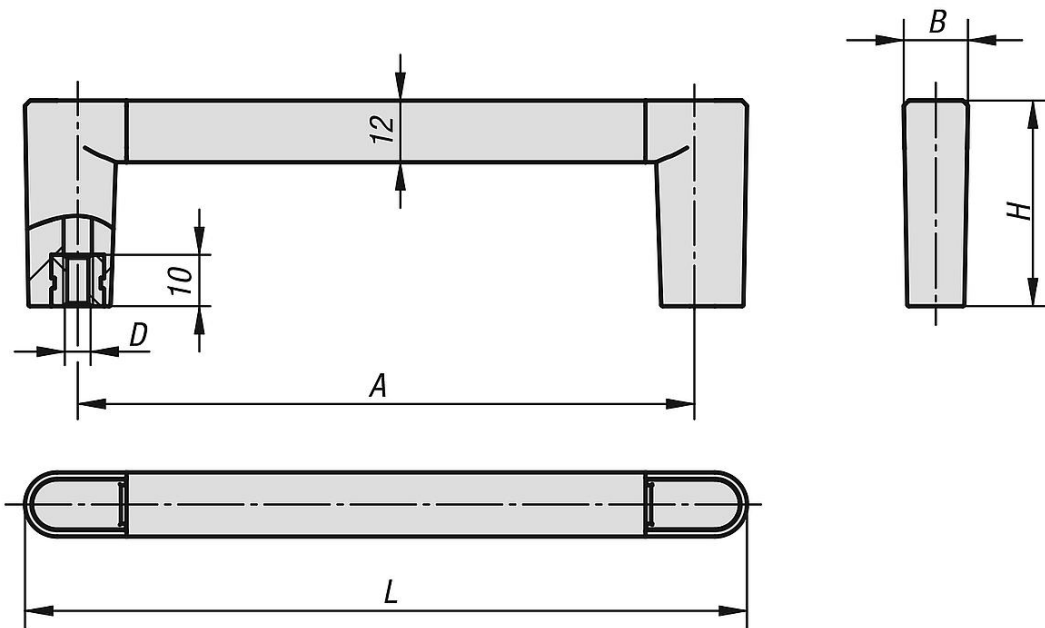
**Version:**

Grip natural color or black anodized.  
Tapped bushing electro zinc-plated.

**Note:**

- 19"
- Closed design
- Simple assembly
- The cap is tapped on using a plastic hammer

### Drawings



### Pull handles

Order No.	Main color	A	B	D	H	L	Load capacity N
K1128.055101	black	55	12,5	M5	40	75,5	1000
K1128.088101	black	88	12,5	M5	40	108,5	1000
K1128.100101	black	100	12,5	M5	40	120,5	1000
K1128.120101	black	120	12,5	M5	40	140,5	1000
K1128.180101	black	180	12,5	M5	40	200,5	1000
K1128.235101	black	235	12,5	M5	40	255,5	1000
K1128.055103	natural	55	12,5	M5	40	75,5	1000
K1128.088103	natural	88	12,5	M5	40	108,5	1000
K1128.100103	natural	100	12,5	M5	40	120,5	1000

Order No.	Main color	A	B	D	H	L	Load capacity N
<b>K1128.120103</b>	natural	120	12,5	M5	40	140,5	1000
<b>K1128.180103</b>	natural	180	12,5	M5	40	200,5	1000
<b>K1128.235103</b>	natural	235	12,5	M5	40	255,5	1000