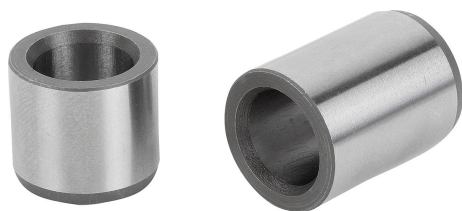


Locating bushings for locating pins

Item description/product images

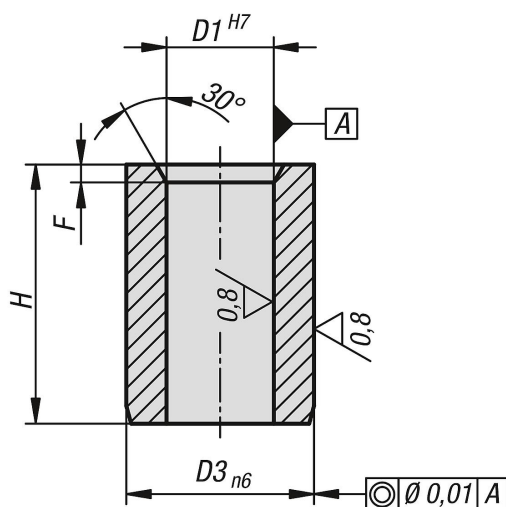


Description

Material:
Steel.

Version:
Hardened and ground (HRC 60 ±2).

Drawings



Locating bushings for locating pins

Order No.	Version 1	D1	D3	F	H
K1095.0508	short	5	8	1	8
K1095.0610	short	6	10	1	10
K1095.0812	short	8	12	1,2	12
K1095.1014	short	10	15	1,5	14
K1095.1216	short	12	18	1,5	16
K1095.1620	short	16	26	1,5	20
K1095.2026	short	20	30	2,5	26
K1095.0510	long	5	8	1	10
K1095.0612	long	6	10	1	12
K1095.0818	long	8	12	1,2	18
K1095.1022	long	10	15	1,5	22
K1095.1224	long	12	18	1,5	24
K1095.1630	long	16	26	1,5	30
K1095.2036	long	20	30	2,5	36