

## Spring hinges, steel, stainless steel or aluminum, 120 mm, spring closed

### Item description/product images



### Description

**Material:**

Steel, 1.4301 (AISI 304 equivalent) stainless steel or 5754 aluminum.  
Tension spring steel or stainless steel.

**Version:**

Steel bright or electro zinc-plated  
Stainless steel and aluminum, bright.  
Tension spring Zn/Al alloy.

**Note:**

Butt type hinges.  
Opening angle 270°.

**Spring torque:**

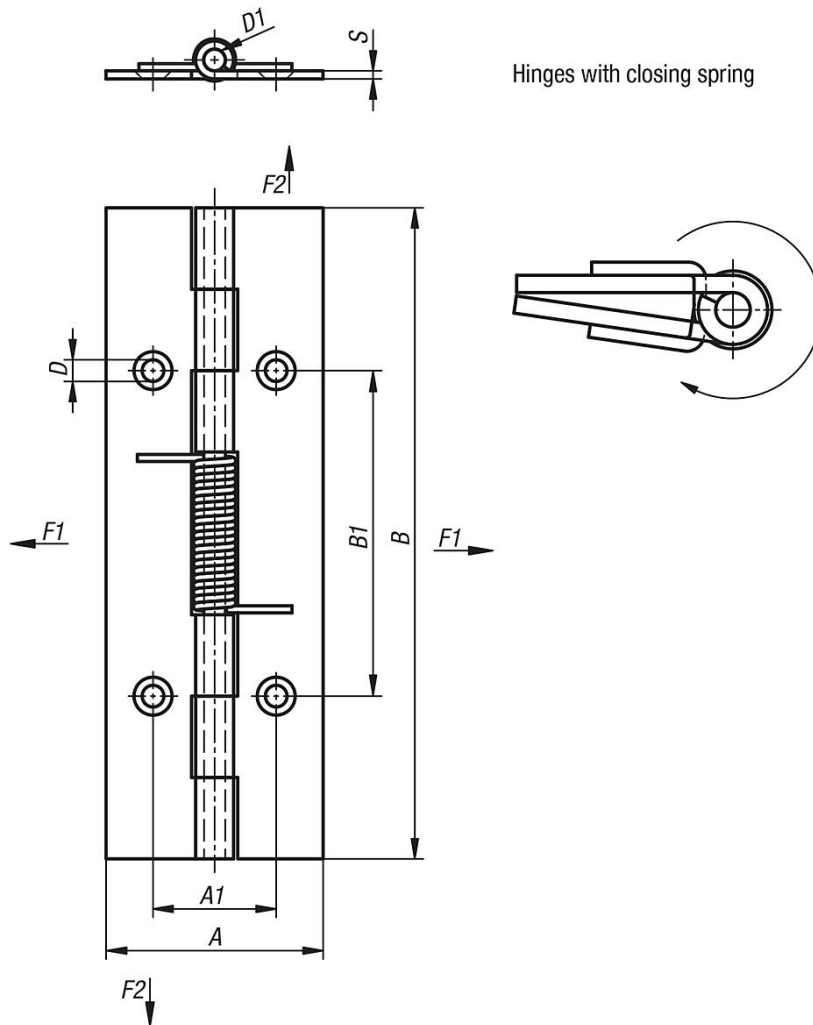
M(0°): 0.28 Nm / M(90°): 0.56 Nm / M(180°): 0.85 Nm

By the aluminum hinges, the tension springs are steel alloyed with Zn/Al.

style A: without holes

style B: with holes

### Drawings



Hinges with closing spring

Order No.	style	Version 1	Main material	A	A1	B	B1	D	D1	S
K1175.4012010	A	spring closed	steel	40	-	120	-	-	4	1,5
K1175.4012011	B	spring closed	steel	40	22,7	120	60	4	4	1,5
K1175.14012010	A	spring closed	stainless steel A2	40	-	120	-	-	4	1,5
K1175.14012011	B	spring closed	stainless steel A2	40	22,7	120	60	4	4	1,5
K1175.24012010	A	spring closed	aluminum	40	-	120	-	-	4	1,5
K1175.24012011	B	spring closed	aluminum	40	22,7	120	60	4	4	1,5