

Spring hinges steel or stainless steel, 180 mm, spring open

Item description/product images



Description

Material:

Steel or 1.4301 (AISI 304 equivalent) stainless steel.
Tension spring stainless steel.

Version:

Steel bright or electro zinc-plated.
Stainless steel bright.

Note:

Butt type hinges.
Opening angle 270°.

Spring torque:

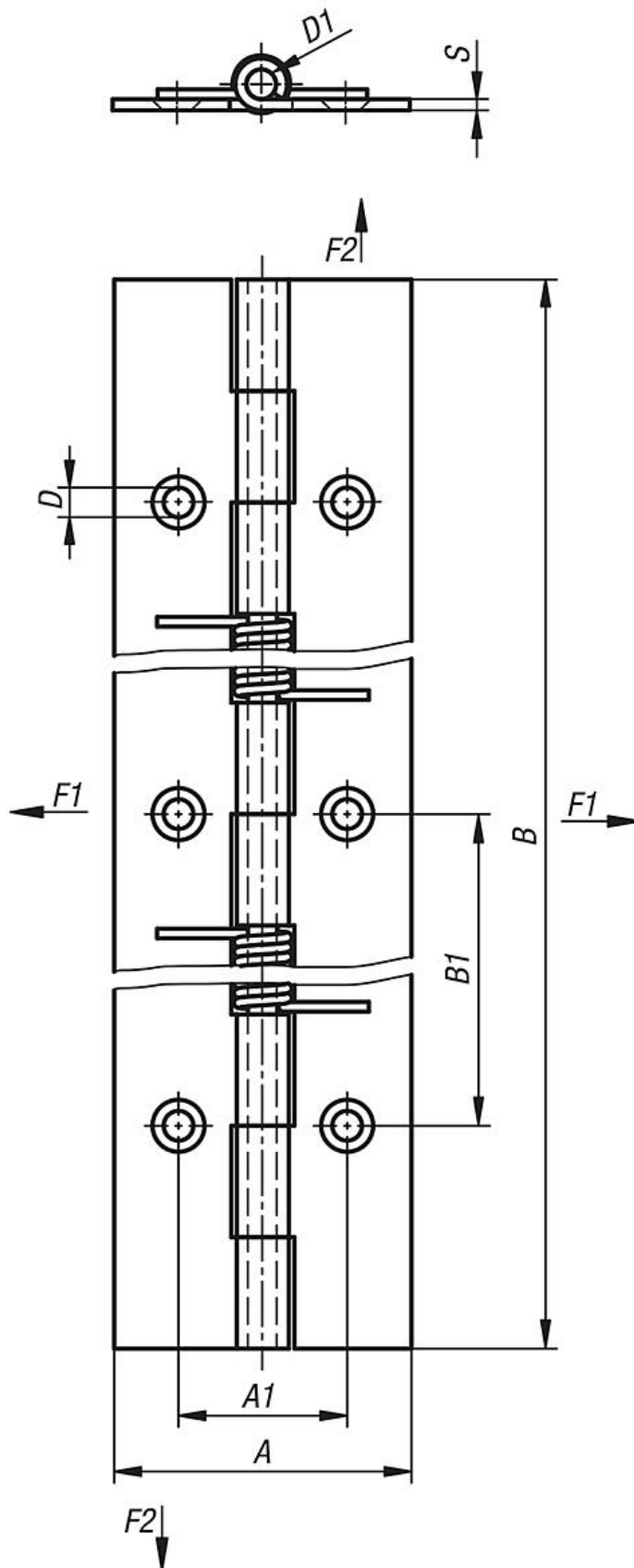
$M(0^\circ)$: 1.7 Nm / $M(90^\circ)$: 1.1 Nm / $M(180^\circ)$: 0.56 Nm

style A: without holes

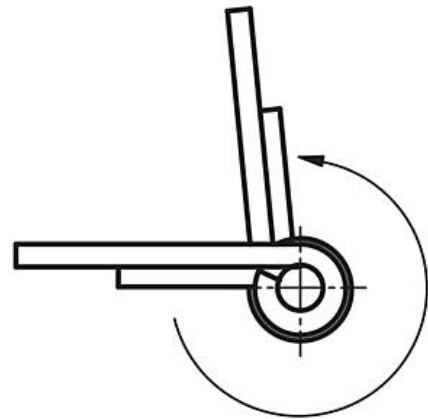
style B: with holes

Spring hinges steel or stainless steel, 180 mm, spring open

Drawings



Hinges with opening spring



Spring hinges steel or stainless steel, 180 mm, spring open

Order No.	style	Version 1	Main material	Main color	A	A1	B	B1	D	D1	S
K1176.4018000	A	spring open	steel	-	40	-	180	-	-	4	1,5
K1176.4018001	B	spring open	steel	-	40	22,7	180	60	4	4	1,5
K1176.14018000	A	spring open	stainless steel A2	-	40	-	180	-	-	4	1,5
K1176.14018001	B	spring open	stainless steel A2	-	40	22,7	180	60	4	4	1,5