

# Spring hinges steel or stainless steel, 240 mm, spring open

## Item description/product images



### Description

**Material:**

Steel or 1.4301 (AISI 304 equivalent) stainless steel.  
Tension spring stainless steel.

**Version:**

Steel bright or electro zinc-plated.  
Stainless steel bright.

**Note:**

Butt type hinges.  
Opening angle 270°.

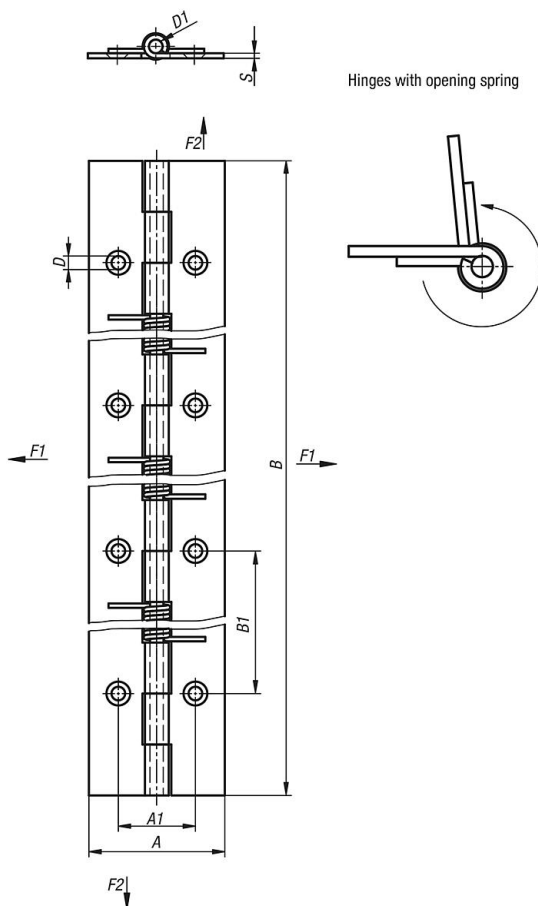
**Spring torque:**

M(0°): 2.55 Nm / M(90°): 1.68 Nm / M(180°): 0.84 Nm

style A: without holes

style B: with holes

## Drawings



## Spring hinges steel or stainless steel, 240 mm, spring open

Order No.	style	Version 1	Main material	Main color	A	A1	B	B1	D	D1	S
K1177.4024000	A	spring open	steel	-	40	-	240	-	-	4	1,5
K1177.4024001	B	spring open	steel	-	40	22,7	240	60	4	4	1,5
K1177.14024000	A	spring open	stainless steel A2	-	40	-	240	-	-	4	1,5
K1177.14024001	B	spring open	stainless steel A2	-	40	22,7	240	60	4	4	1,5