

Spring hinges steel or stainless steel, 240 mm, spring closed

Item description/product images



Description

Material:

Steel or 1.4301 (AISI 304 equivalent) stainless steel.
Tension spring stainless steel.

Version:

Steel bright or electro zinc-plated.
Stainless steel bright.

Note:

Butt type hinges.
Opening angle 270°.

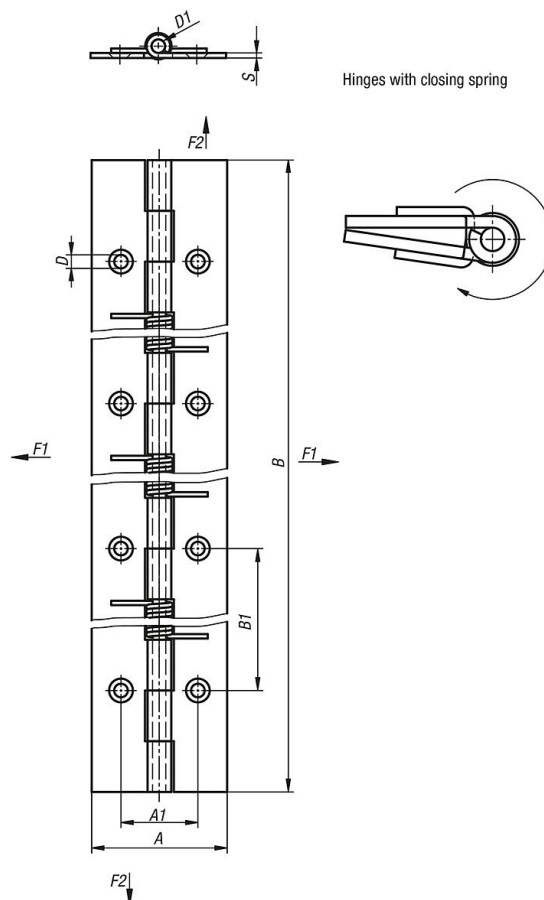
Spring torque:

$M(0^\circ)$: 0.84 Nm / $M(90^\circ)$: 1.68 Nm / $M(180^\circ)$: 2.55 Nm

style A: without holes

style B: with holes

Drawings



Spring hinges steel or stainless steel, 240 mm, spring closed

Order No.	style	Version 1	Main material	Main color	A	A1	B	B1	D	D1	S
K1177.4024010	A	spring closed	steel	-	40	-	240	-	-	4	1,5
K1177.4024011	B	spring closed	steel	-	40	22,7	240	60	4	4	1,5
K1177.14024010	A	spring closed	stainless steel A2	-	40	-	240	-	-	4	1,5
K1177.14024011	B	spring closed	stainless steel A2	-	40	22,7	240	60	4	4	1,5