

Triangular grip 2K, ergonomic with internal thread

Item description/product images



Description

Material:

Hard components fiberglass reinforced plastic.

Soft components thermoplastic elastomer.

bushing steel grade 5.8 or stainless steel 1.4305 (AISI 303 equivalent).

Version:

Steel trivalent blue passivated.

Stainless steel, bright.

Note:

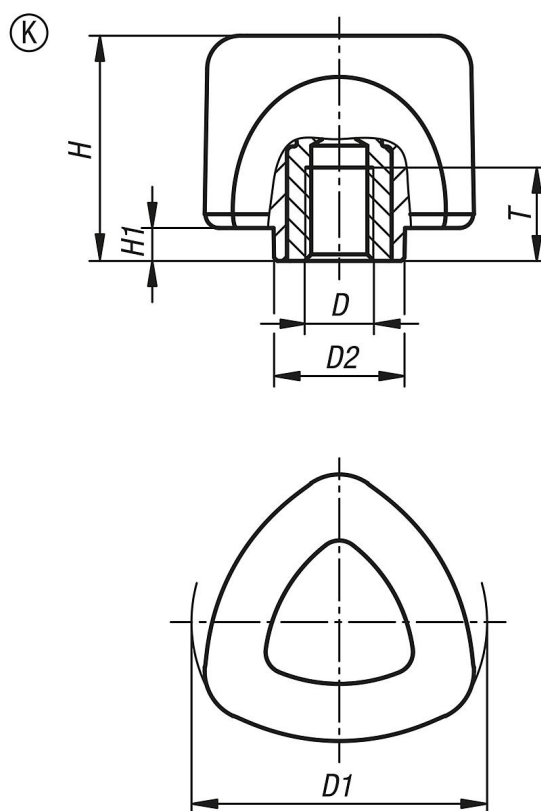
The color combinations graphite black RAL 9011 (hard components) and black gray RAL 7021 (soft components) are supplied as standard.

The soft components ensure a non-slip grip of the operating part. The closed design offers sufficient protection against dirt.

On request:

Further color combinations.

Drawings



Order No.	style	Component material	D=Thread	D1	D2	H	H1	T
K0980.5008	K	steel	M8	53,8	23,9	41	6	17

Triangular grip 2K, ergonomic with internal thread

Order No.	style	Component material	D=Thread	D1	D2	H	H1	T
K0980.5010	K	steel	M10	53,8	23,9	41	6	17
K0980.6308	K	steel	M8	67,7	23,9	36	6	17
K0980.6310	K	steel	M10	67,7	23,9	36	6	17
K0980.05008	K	stainless steel	M8	53,8	23,9	41	6	17
K0980.05010	K	stainless steel	M10	53,8	23,9	41	6	17
K0980.06308	K	stainless steel	M8	67,7	23,9	36	6	17
K0980.06310	K	stainless steel	M10	67,7	23,9	36	6	17