

## Sensor holders

### Item description/product images



### Description

**Material:**

Polyamide fiberglass reinforced.

**Version:**

black.

**Note:**

For fastening sensors and limit switches to aluminum profiles or panel elements.

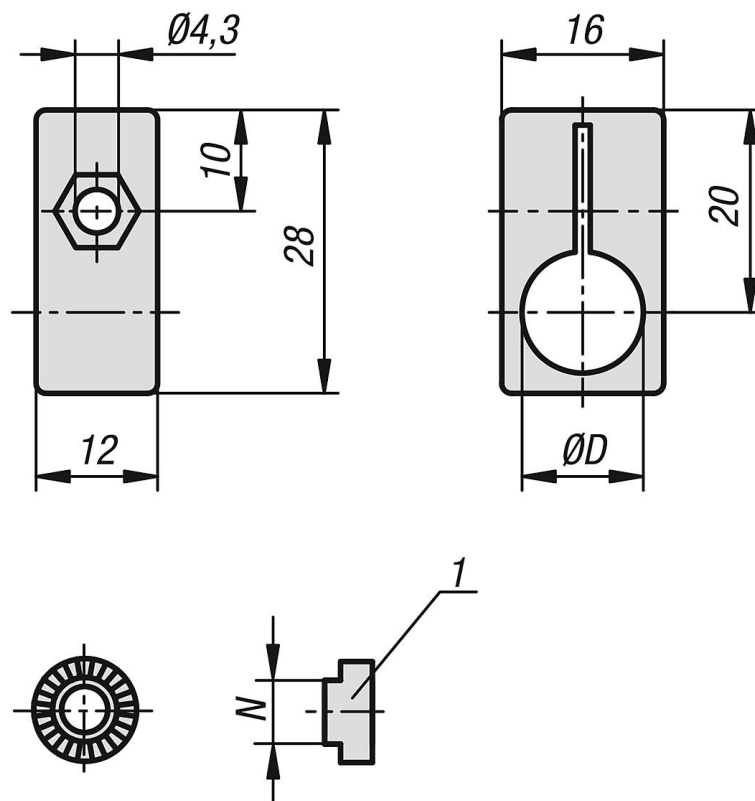
Fastening pieces are available for various aluminum profile slot sizes. The fastening piece provides a positive rotation lock and can be adjusted in 15 increments. With no fastening piece the sensor holder can be infinitely adjusted in the angle.

**Drawing reference:**

1) Fastening piece



### Drawings



**Sensor holders**

Order No.	Item	D	N
K1281.080	Sensor Bracket	8	-
K1281.120	Sensor Bracket	12	-
K1281.905	Locking Piece	-	5
K1281.906	Locking Piece	-	6
K1281.908	Locking Piece	-	8
K1281.910	Locking Piece	-	10