

Cable clips

Item description/product images



Description

Material:
Polyamide.
O-ring FPM 70.

Version:
black.

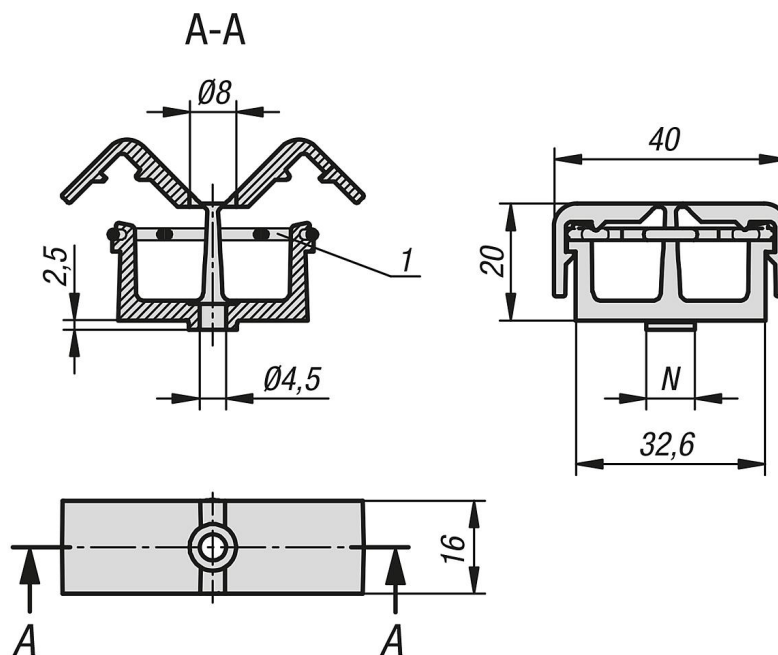
Note:
The cable clip is a fastening component for cables and hoses with a diameter of up to 12 mm.

Can be mounted on panel elements or aluminum profiles (8 or 10 mm slots) with a cap screw or pan head screw and a slot key. The cables are held in place by the stretched O-ring.

With two separate channels.

Drawing reference:
1) O-ring

Drawings



Cable clips

Order No.	Slot width	N
K1279.00	-	-
K1279.08	8	8
K1279.10	10	10

