

## Lateral Spring Plungers with seal, pressure pin and spring in steel, metric

Item description/product images

METRIC  
Parts



### Description

**Material:**

body in aluminum; spring in steel; pressure pin in steel

**Version:**

Steel thrust pin hardened and electro zinc-plated.

body blue electro zinc-plated.

**Note:**

Lateral spring plungers are for positioning, clamping, holding and securing workpieces and parts for engraving, labelling, drilling, reaming, tapping, honing, grinding, welding, soldering, assembling, mounting etc.

Suitable eccentric adjustment bushing see K0369.

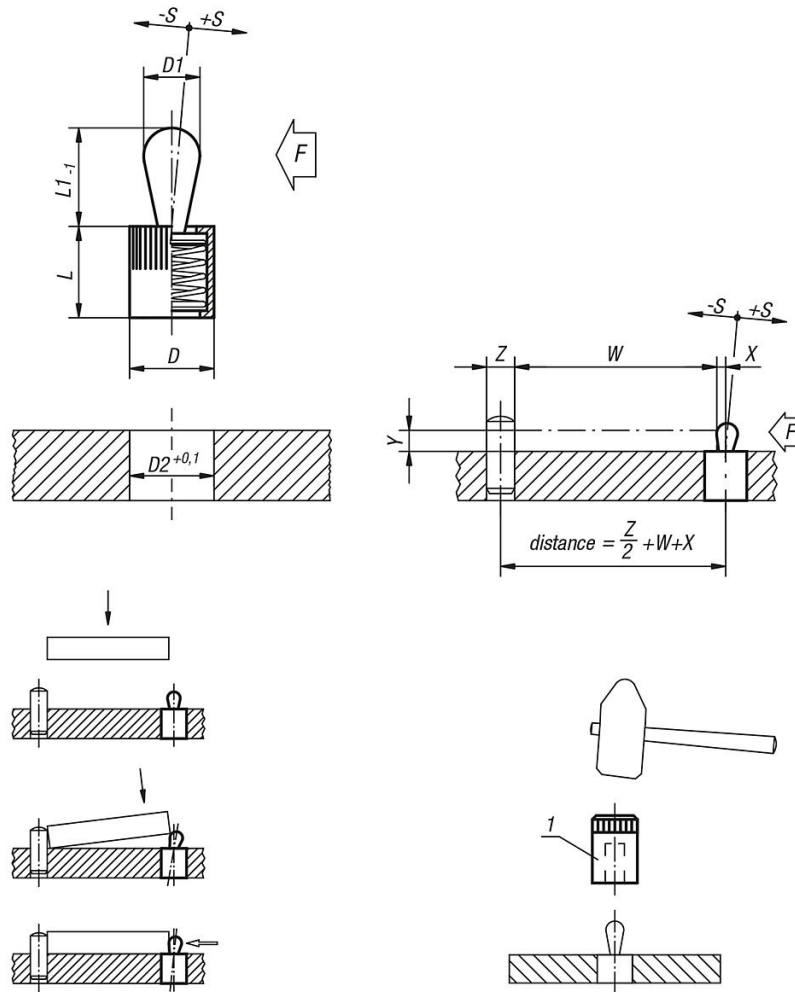
W and Z are customer specified.

**Drawing reference:**

1) assembly tool

## Lateral Spring Plungers with seal, pressure pin and spring in steel, metric

Drawings



### Lateral spring plungers with seal, thrust pin and spring steel

Item No.	D	D1	L	L1	D2	±S	F ca.N	X if Y = 1	X if Y = 2	X if Y = 3	X if Y = 4.5	X if Y = 6	X if Y = 8	Item No. installation tool
K0368.22034	6	3	7	4	6	0,5	10	0,8	1	1	1	1	1	K0369.03
K0368.22036	6	3	7	4	6	0,5	20	0,8	1	1	1	1	1	K0369.03
K0368.22038	6	3	7	4	6	0,5	40	0,8	1	1	1	1	1	K0369.03
K0368.22054	10	5	12	6	10	0,8	20	-	1,5	1,7	1,7	1,7	1,7	K0369.05
K0368.22056	10	5	12	6	10	0,8	50	-	1,5	1,7	1,7	1,7	1,7	K0369.05
K0368.22058	10	5	12	6	10	0,8	100	-	1,5	1,7	1,7	1,7	1,7	K0369.05
K0368.22064	10	6	12	10	10	1	40	-	-	-	1,7	1,9	1,9	K0369.05
K0368.22066	10	6	12	10	10	1	75	-	-	-	1,7	1,9	1,9	K0369.05
K0368.22068	10	6	12	10	10	1	100	-	-	-	1,7	1,9	1,9	K0369.05
K0368.22084	12	8	14	13	12	1,3	50	-	-	-	-	2,5	2,7	K0369.08
K0368.22086	12	8	14	13	12	1,3	100	-	-	-	-	2,5	2,7	K0369.08
K0368.22088	12	8	14	13	12	1,3	150	-	-	-	-	2,5	2,7	K0369.08
K0368.22104	16	10	18	16	16	1,6	100	-	-	-	-	-	3,1	K0369.10
K0368.22106	16	10	18	16	16	1,6	150	-	-	-	-	-	3,1	K0369.10
K0368.22108	16	10	18	16	16	1,6	200	-	-	-	-	-	3,1	K0369.10

