

Eccentric bushings for lateral spring plungers, metric

Item description/product images

METRIC
Parts



Description

Material:

Steel.

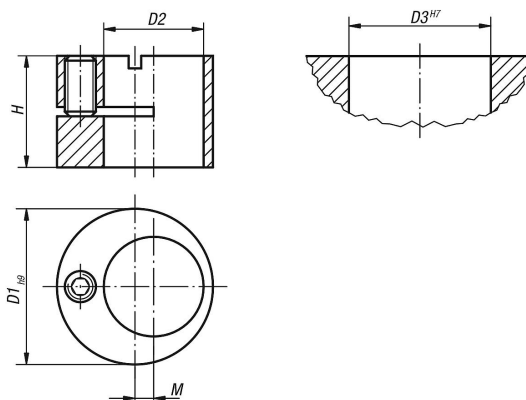
Version:

Black oxidized.

Note:

Eccentric bushings enable lateral spring plungers to be precisely positioned with regard to the workpiece.

Drawings



Eccentric bushings for lateral spring plungers

| Item No. | D1 | D2 | D3 | H | M | Suitable for lateral spring plungers with D = |
|-----------|----|----|----|------|---|---|
| K0369.120 | 12 | 6 | 12 | 9,9 | 2 | 6 |
| K0369.160 | 16 | 10 | 16 | 11,9 | 2 | 10 |
| K0369.180 | 18 | 12 | 18 | 13,9 | 2 | 12 |
| K0369.250 | 25 | 16 | 25 | 17,9 | 3 | 16 |