

Lateral Spring Plungers with seal, pressure pin in plastic, spring in steel, metric

Item description/product images

METRIC
Parts



Description

Material:

body in aluminum; spring in steel; pressure pin in plastic

Version:

body blue electro zinc-plated.

Note:

Lateral spring plungers are for positioning, clamping, holding and securing workpieces and parts for engraving, labelling, drilling, reaming, tapping, honing, grinding, welding, soldering, assembling, mounting etc.

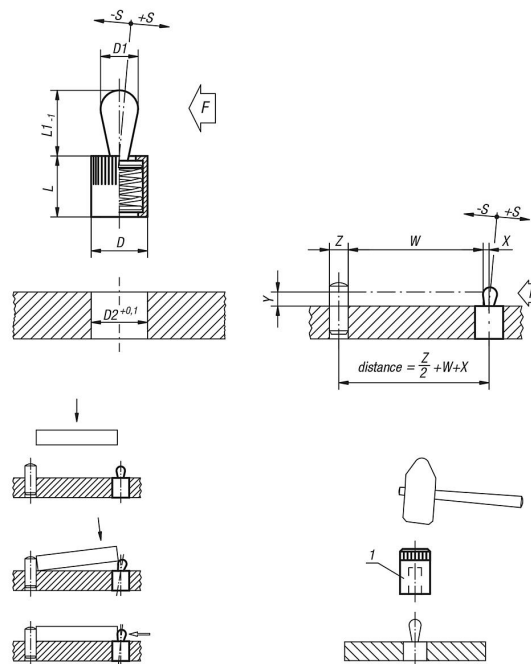
Suitable eccentric adjustment bushing see K0369.

W and Z are customer specified.

Drawing reference:

1) assembly tool

Drawings



Lateral Spring Plungers with seal, pressure pin in plastic, spring in steel, metric

Lateral spring plungers with seal, thrust pin POM, spring steel

Item No.	D	D1	L	L1	D2	±S	F ca.N	X if Y = 1	X if Y = 2	X if Y = 3	X if Y = 4.5	X if Y = 6	X if Y = 8	Item No. installation tool
K0368.72034	6	3	7	4	6	0,5	10	0,8	1	1	1	1	1	K0369.03
K0368.72054	10	5	12	6	10	0,8	20	-	1,5	1,7	1,7	1,7	1,7	K0369.05
K0368.72064	10	6	12	10	10	1	40	-	-	-	1,7	1,9	1,9	K0369.05
K0368.72084	12	8	14	13	12	1,3	50	-	-	-	-	2,5	2,7	K0369.08
K0368.72104	16	10	18	16	16	1,6	100	-	-	-	-	-	3,1	K0369.10