

Lateral Spring Plungers without seal, pressure pin in plastic, spring in steel, metric

Item description/product images

METRIC
Parts



Description

Material:

body in aluminum; spring in steel; pressure pin in plastic

Version:

body blue electro zinc-plated.

Note:

Lateral spring plungers are for positioning, clamping, holding and securing workpieces and parts for engraving, labelling, drilling, reaming, tapping, honing, grinding, welding, soldering, assembling, mounting etc.

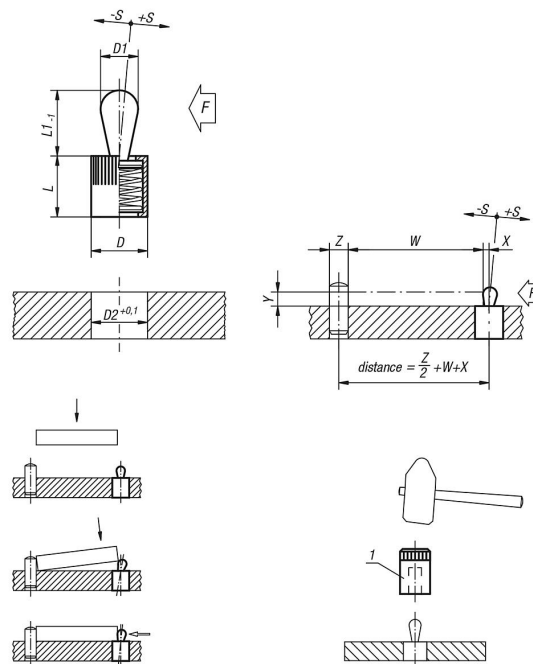
Suitable eccentric adjustment bushing see K0369.

W and Z are customer specified.

Drawing reference:

1) assembly tool

Drawings



Lateral Spring Plungers without seal, pressure pin in plastic, spring in steel, metric

Lateral spring plungers without seal, thrust pin POM, spring steel

Item No.	D	D1	L	L1	D2	±S	F ca.N	X if Y = 1	X if Y = 2	X if Y = 3	X if Y = 4.5	X if Y = 6	X if Y = 8	Item No. installation tool
K0368.71034	6	3	7	4	6	0,5	10	0,8	1	1	1	1	1	K0369.03
K0368.71054	10	5	11	6,7	10	0,8	20	-	1,5	1,7	1,7	1,7	1,7	K0369.05
K0368.71064	10	6	11	10,7	10	1	40	-	-	-	1,7	1,9	1,9	K0369.05
K0368.71084	12	8	13	13,9	12	1,3	50	-	-	-	-	2,5	2,7	K0369.08
K0368.71104	16	10	17	16,7	16	1,6	100	-	-	-	-	-	3,1	K0369.10