

## Magnets raw, NdFeB, block style

### Item description/product images



### Description

**Material:**  
NdFeB N35 (neodymium).

**Version:**  
nickel-plated.

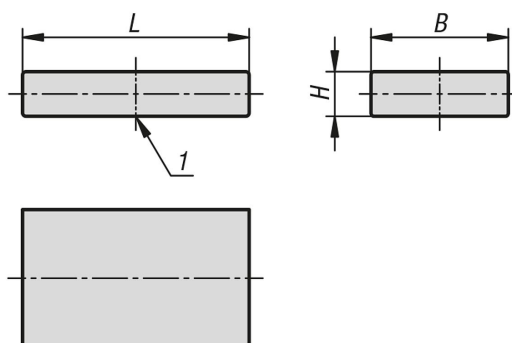
**Note:**  
Unshielded system.

**Temperature range:**  
max. 80°C.

**Assembly:**  
The magnets can be mounted by press-fit or gluing.

**Drawing reference:**  
1) magnetic face

### Drawings



### Magnets raw, NdFeB, block style

Order No.	B	H	L	Magnetic force N
K1406.0704	4 ±0,1	1,5 ±0,1	7,5 ±0,1	5
K1406.0706	6 ±0,1	2 ±0,1	7,5 ±0,1	8
K1406.1007	7,5 ±0,1	2 ±0,1	10 ±0,1	11
K1406.1209	9,5 ±0,1	2,5 ±0,1	12 ±0,1	17
K1406.1612	12,5 ±0,1	2,5 ±0,1	16 ±0,1	24
K1406.1816	16,5 ±0,1	4 ±0,1	18 ±0,1	50
K1406.2620	20,3 ±0,1	5 ±0,1	26 ±0,1	77
K1406.3326	26 ±0,1	6,5 ±0,1	33 ±0,1	125