

# Magnets shallow pot with counterbore, SmCo with stainless-steel housing

Item description/product images



## Description

### Material:

Housing stainless steel 1.4104 (AISI 430F equivalent).  
Magnetic core SmCo (samarium cobalt).

### Note:

Shielded system.

### Temperature range:

max. 350°C.

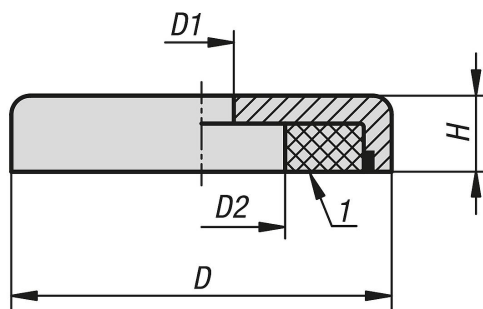
### Assembly:

The magnets can be mounted by press-fit, screwing-in or gluing.

### Drawing reference:

1) magnetic face

## Drawings



## Magnets shallow pot with counterbore, SmCo with stainless-steel housing

| Order No. | D        | D1  | D2   | H | Magnetic force N |
|-----------|----------|-----|------|---|------------------|
| K1399.120 | 20 ±0,15 | 4,5 | 8    | 6 | 60               |
| K1399.125 | 25 ±0,15 | 4,5 | 8    | 7 | 80               |
| K1399.132 | 32 ±0,2  | 5,5 | 11   | 7 | 200              |
| K1399.140 | 40 ±0,2  | 5,5 | 10,5 | 8 | 420              |