

# Magnets deep pot with threaded pin, NdFeB, rubber magnetic face

## Item description/product images



## Description

### Material:

Housing stainless steel 1.4104.  
Magnetic core NdFeB (neodymium).  
Magnetic face rubberised (TPE).

### Note:

Deep pot magnet with external thread, shielded system. With rubber magnetic face to protect sensitive surfaces. The rubber face increases the coefficient of friction resulting in high lateral frictional forces.

### Temperature range:

max. 80°C.

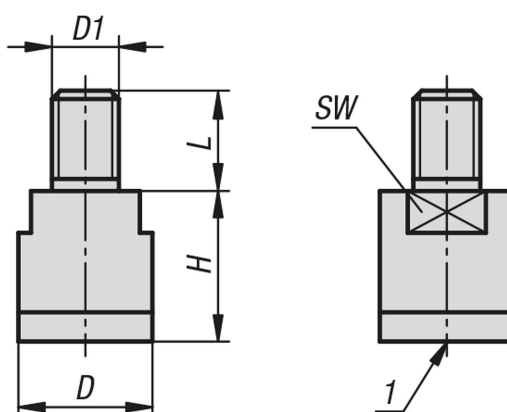
### Assembly:

The deep pot magnets with rubberised magnetic face can be used as a magnetic stop system.

### Drawing reference:

1) magnetic face

## Drawings



## Magnets deep pot with threaded pin, NdFeB, rubber magnetic face

Order No.	D	D1	H	L	SW	Magnetic force N
K1397.1306	13	M6	16	10	11	15
K1397.1608	16	M8	18	12	13	23
K1397.2010	20	M10	20	14	17	46