

Tube clamps cross aluminum, metric

Item description/product images

METRIC
Parts



Description

Material:

Cast aluminum.
DIN 7984 screws and DIN 985 nuts, steel.

Version:

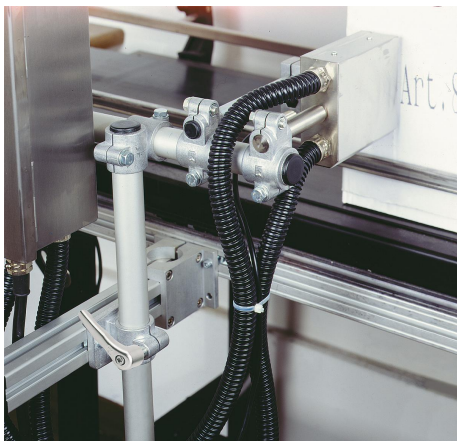
Vibratory ground.
Screws and nuts electro zinc-plated.

On request:

Adjustable handles for tightening.

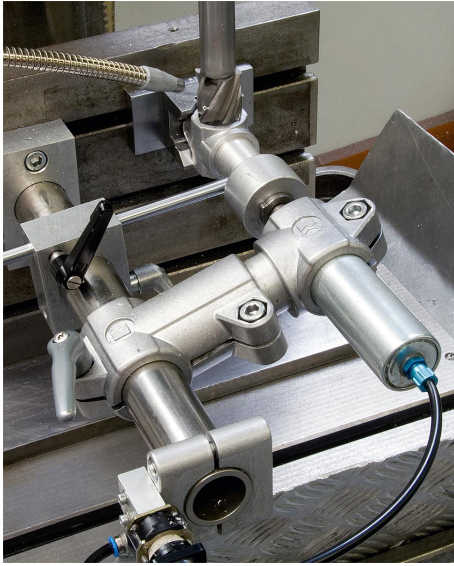
Accessory:

- Round and square tubes K0493

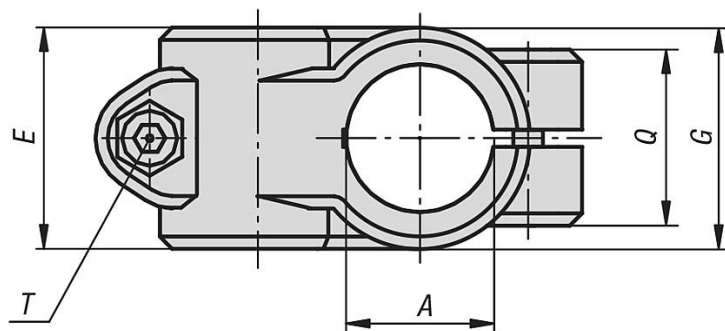
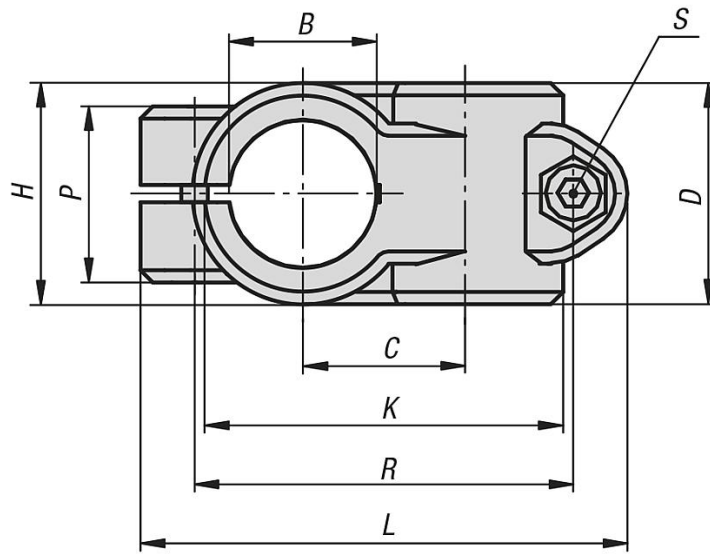


Tube clamps cross aluminum, metric

Item description/product images



Drawings



Tube clamps cross aluminum, metric

Item No.	A	B	C	D	E	G	H	K	L	P	Q	R	S	T
K0472.51212	12,1	12,1	20	25,5	25,5	-	-	43,5	67	23	23	49	M6x20	M6x20
K0472.51414	14,1	14,1	20	25,5	25,5	-	-	43,5	67	23	23	49	M6x20	M6x20
K0472.51515	15,1	15,1	20	25,5	25,5	-	-	43,5	67	23	23	49	M6x20	M6x20
K0472.51616	16,1	16,1	20	25,5	25,5	-	-	43,5	67	23	23	49	M6x20	M6x20
K0472.51818	18,1	18,1	20	25,5	25,5	-	-	43,5	67	23	23	49	M6x20	M6x20
K0472.52014	20,1	14,1	27	40	33	40	26	59	84	21	33	65	M8x25	M6x20
K0472.52020	20,1	20,1	33	40	40	-	-	73	101	33	33	78	M8x25	M8x25
K0472.52514	25,1	14,1	27	40	33	40	26	59	84	21	33	65	M8x25	M6x20
K0472.52525	25,1	25,1	33	40	40	-	-	73	101	33	33	78	M8x25	M8x25
K0472.53014	30,1	14,1	27	40	33	40	26	59	84	21	33	65	M8x25	M6x20
K0472.53030	30,1	30,1	33	40	40	-	-	73	101	33	33	78	M8x25	M8x25
K0472.54020	40,17	20,1	36	50	40	52	32	60	110	33	40	86,5	M10x30	M8x25
K0472.54030	40,17	30,1	45	65	65	65	45	98	137,5	44	44	108,5	M10x30	M10x30
K0472.54040	40,17	40,17	45	60	60	-	-	100	137	40	40	111	M10x30	M10x30
K0472.55030	50,22	30,1	45	65	65	65	45	98	137,5	44	44	108,5	M10x35	M10x35
K0472.55050	50,2	50,2	53	70	70	-	-	118	154	45	45	128	M10x35	M10x35