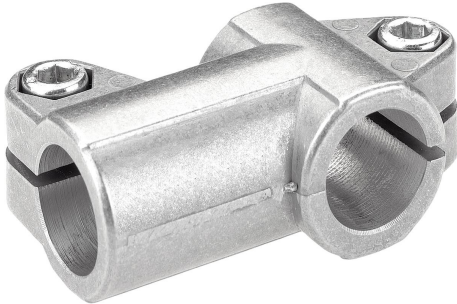


## Tube clamps T-angle aluminium, metric

### Item description/product images

METRIC  
Parts



### Description

**Material:**

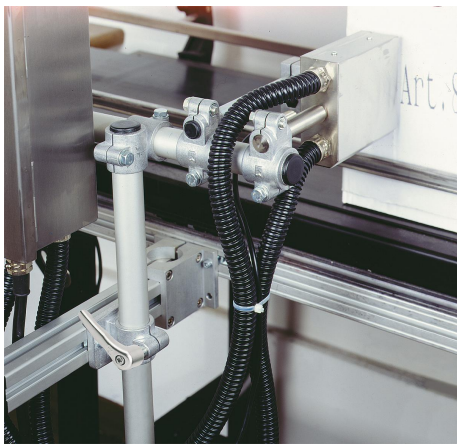
Cast aluminum.  
DIN 7984 screws and DIN 985 nuts, steel.

**Version:**

Vibratory ground.  
Screws and nuts electro zinc-plated.

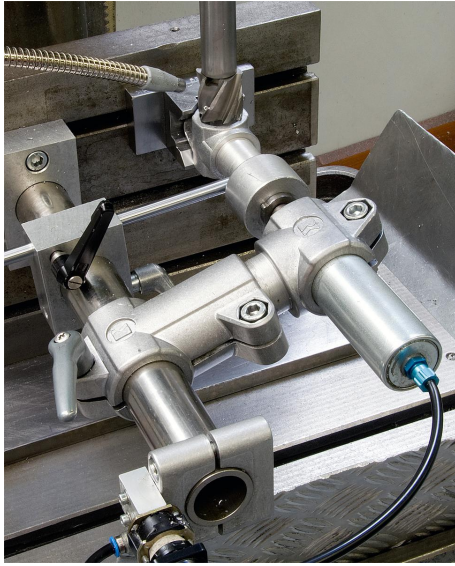
**On request:**

Adjustable handles for tightening.

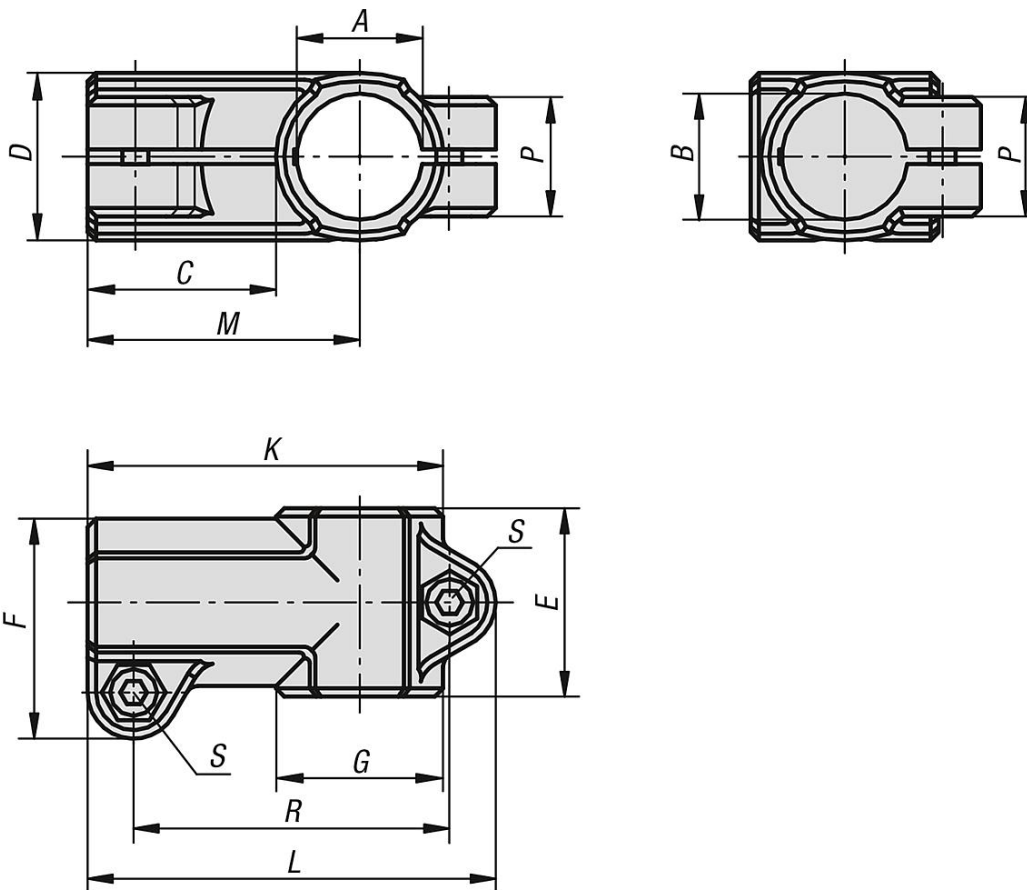


## Tube clamps T-angle aluminium, metric

Item description/product images



### Drawings



Order No.	A	B	C	D	E	F	G	H	K	L	M	P	R	S
K0475.51212	12,1	12,1	28	25	32	35,5	25	30	56	66	43	23	49	M6x20

## Tube clamps T-angle aluminium, metric

Order No.	A	B	C	D	E	F	G	H	K	L	M	P	R	S
<b>K0475.51414</b>	14,1	14,1	28	25	32	35,5	25	30	56	66	43	23	49	M6x20
<b>K0475.51515</b>	15,1	15,1	28	25	32	35,5	25	30	56	66	43	23	49	M6x20
<b>K0475.51616</b>	16,1	16,1	28	25	32	35,5	25	30	56	66	43	23	49	M6x20
<b>K0475.51818</b>	18,1	18,1	28	25	32	35,5	25	30	56	66	43	23	49	M6x20
<b>K0475.52020</b>	20,1	20,1	38	40	45	53	40	42,5	80	93	60	33	72,5	M8x25
<b>K0475.52525</b>	25,1	25,1	38	40	45	53	40	42,5	80	93	60	33	72,5	M8x25
<b>K0475.53030</b>	30,1	30,1	38	40	45	53	40	42,5	80	93	60	33	72,5	M8x25
<b>K0475.54040</b>	40,15	40,15	55	56	60	74	56	61	116	134	88	40	108	M10x30
<b>K0475.55050</b>	50,22	50,22	63	66	66	84	66	71	131	149	98	45	123	M10x35