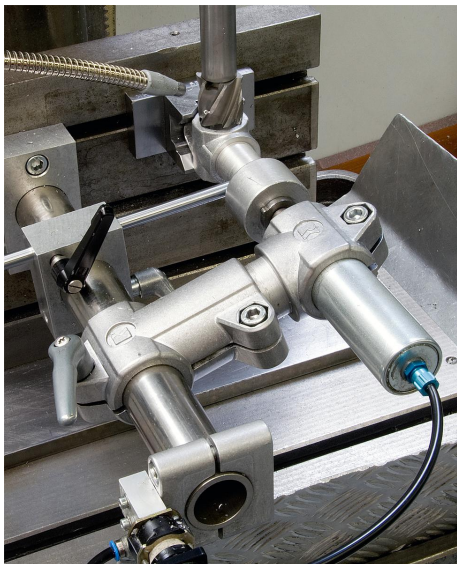
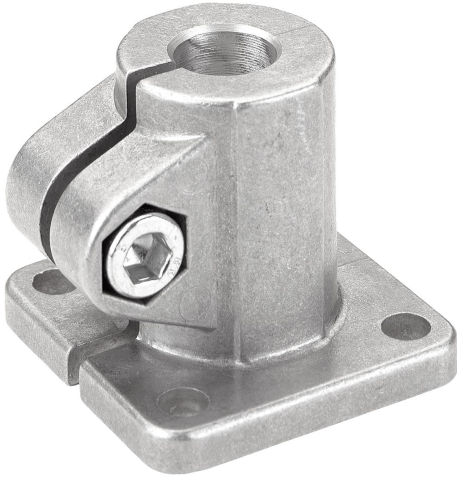


Tube clamps base aluminum, metric

Item description/product images

METRIC
Parts



Description

Material:

Cast aluminum.

DIN 7984 screws and DIN 985 nuts, steel.

Version:

Vibratory ground.

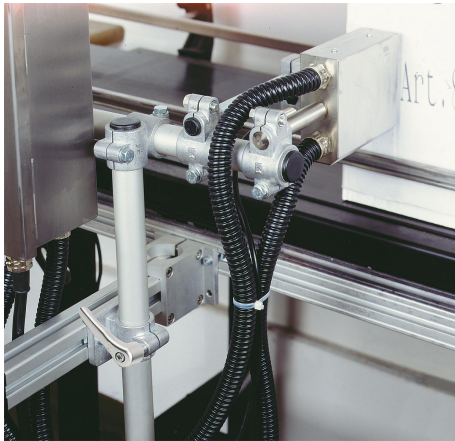
Screws and nuts electro zinc-plated.

On request:

Adjustable handles for tightening.

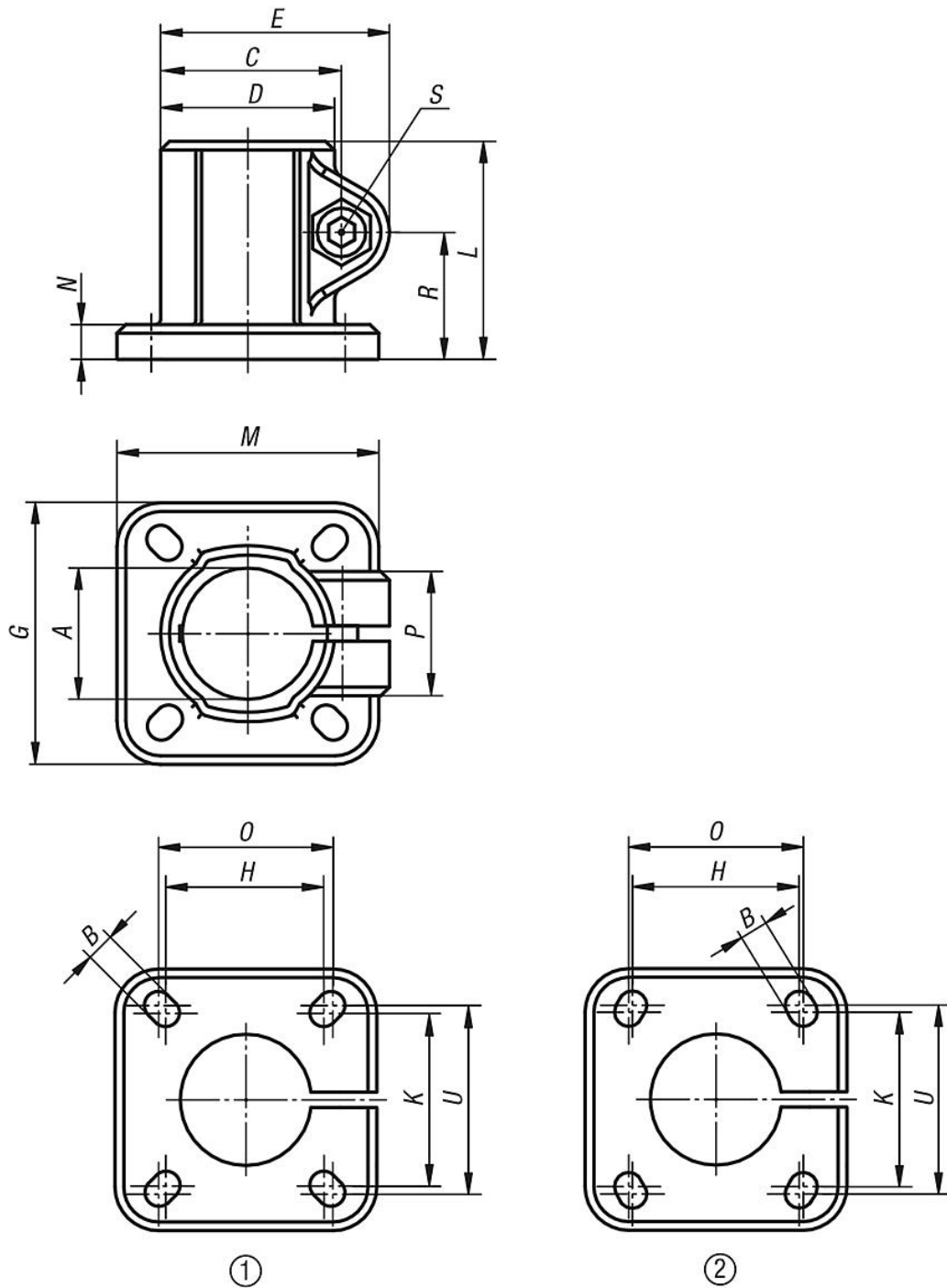
Tube clamps base aluminum, metric

Item description/product images



Tube clamps base aluminum, metric

Drawings



Order No.	hole arrangement	A	B	C	D	E	G	H	K	L	M	N	O	P	R	S	U
K0477.512	1	12,1	6	27	25	35,5	42	28	28	37	42	5	30	23	21	M6x20	30
K0477.514	1	14,1	6	27	25	35,5	42	28	28	37	42	5	30	23	21	M6x20	30
K0477.515	1	15,1	6	27	25	35,5	42	28	28	37	42	5	30	23	21	M6x20	30
K0477.516	1	16,1	6	27	25	35,5	42	28	28	37	42	5	30	23	21	M6x20	30
K0477.518	1	18,1	6	27	25	35,5	42	28	28	37	42	5	30	23	21	M6x20	30
K0477.520	2	20,1	7	42,5	40	53	60	40	42	50	60	8	42	33	29	M8x25	45
K0477.525	2	25,1	7	42,5	40	53	60	40	42	50	60	8	42	33	29	M8x25	45

Tube clamps base aluminum, metric

Order No.	hole arrangement	A	B	C	D	E	G	H	K	L	M	N	O	P	R	S	U
K0477.530	2	30,1	7	42,5	40	53	60	40	42	50	60	8	42	33	29	M8x25	45
K0477.540	1	40,17	9	61	56	74	90	60	60	70	90	10	64	40	40	M10x30	64
K0477.550	1	50,22	11	70	66	84	105	74	74	85	105	14	80	45	49,5	M10x35	80