

Tube clamps swivel base aluminum, metric

Item description/product images

METRIC
Parts



Description

Material:

Cast aluminum.
DIN 7984 screws and DIN 985 nuts, steel.

Version:

Vibratory ground.
Screws and nuts electro zinc-plated.

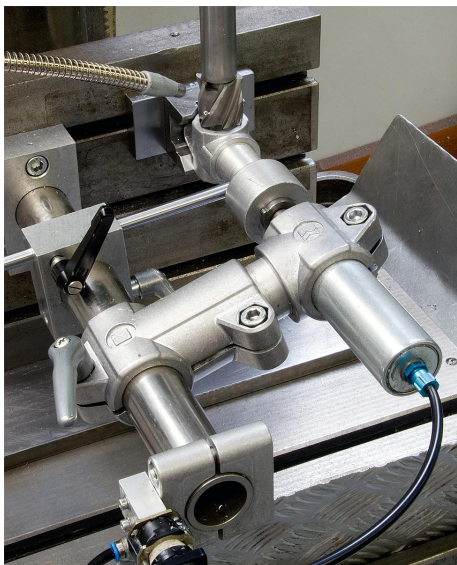
Note:

Tube swivel clamps can be infinitely rotated through 180°.

* Elongated hole

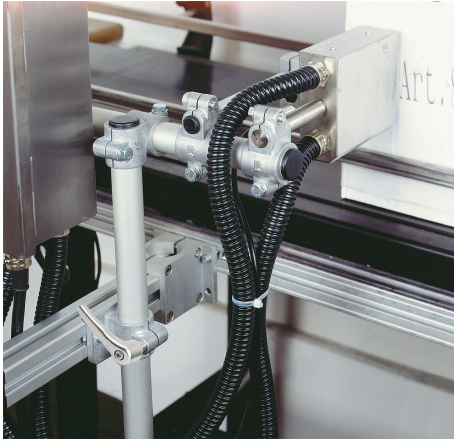
On request:

Adjustable handles for tightening.



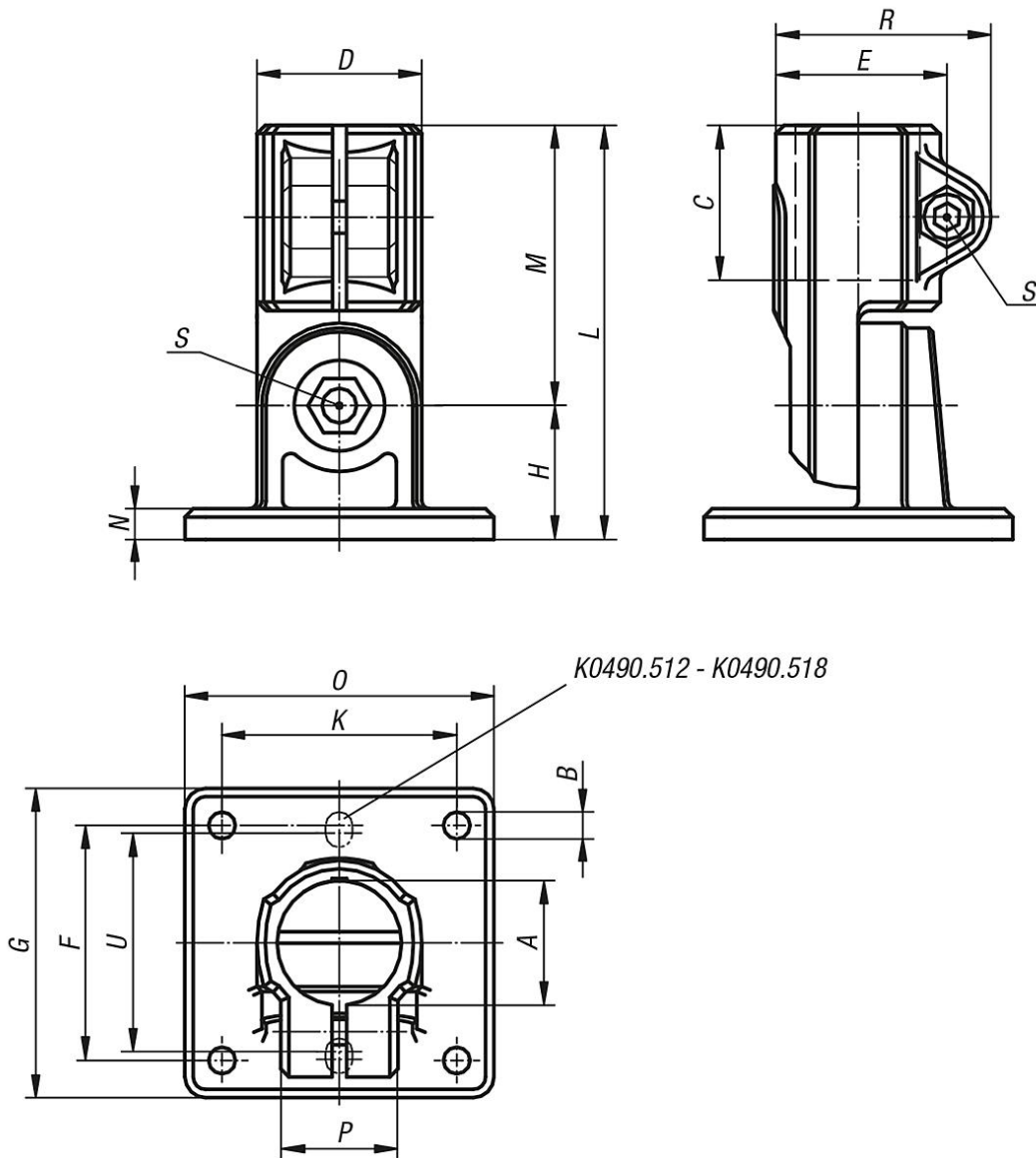
Tube clamps swivel base aluminum, metric

Item description/product images



Tube clamps swivel base aluminum, metric

Drawings



Order No.	A	B	C	D	E	F	G	H	K	L	M	N	O	P	R	S	U
K0490.512	12,1	6* (2x)	25	26	29,4	40	50	20	-	64	44	5	35	21	37,5	M6x18	38
K0490.514	14,1	6* (2x)	25	26	29,4	40	50	20	-	64	44	5	35	21	37,5	M6x18	38
K0490.516	16,1	6* (2x)	25	26	29,4	40	50	20	-	64	44	5	35	21	37,5	M6x18	38
K0490.518	18,1	6* (2x)	25	26	29,4	40	50	20	-	64	44	5	35	21	37,5	M6x18	38
K0490.520	20,1	7* (4x)	45	40	42	57	75	33	57	106	73	7	75	33	52	M8x35	-
K0490.525	25,1	7* (4x)	45	40	42	57	75	33	57	106	73	7	75	33	52	M8x35	-
K0490.530	30,1	7* (4x)	45	40	42	57	75	33	57	106	73	7	75	33	52	M8x35	-
K0490.540	40,2	9* (4x)	60	56	57	76	100	44	76	144	100	10	100	48	69	M10x50	-