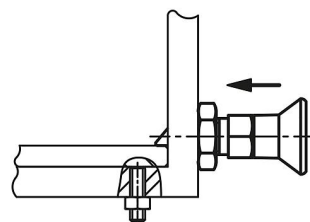
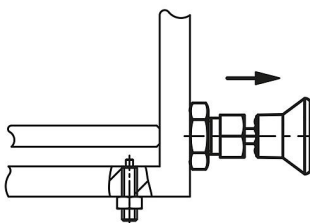
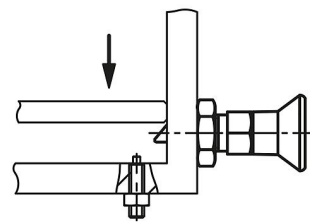
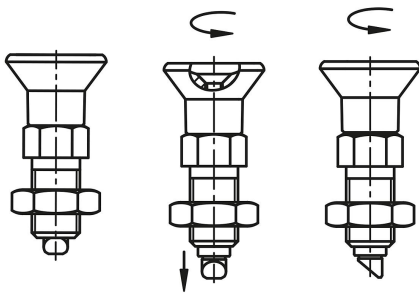
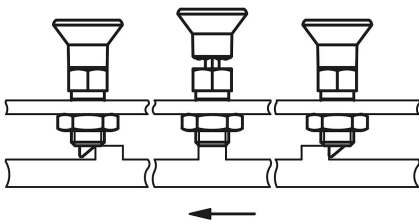


Indexing plungers with rotation lock and lead-in chamfer, style B

Item description/product images



Description

Material:

Steel version:
indexing pin hardened: grade 5.8

Stainless steel version:

indexing pin hardened: threaded body 1.4305 (AISI 303 equivalent), indexing pin 1.4305 (AISI 303 equivalent).

Mushroom knob black gray thermoplastic.

Version:

Steel version:
indexing pin hardened, ground and black oxidized.

Stainless steel version:

indexing pin hardened, ground and bright.

Note:

Indexing plungers are used where any change in locking position due to lateral forces should be prevented. The rotation lock ensures that the position of the pin in relation to the body cannot be changed. The point angle enables the pin to retract automatically through a lateral force from one side. Loosening the screw as far as the marking on the plunger enables the point angle to be rotated in 60° increments.

Assembly:

The screw can be loosened using a hex. key.

On request:

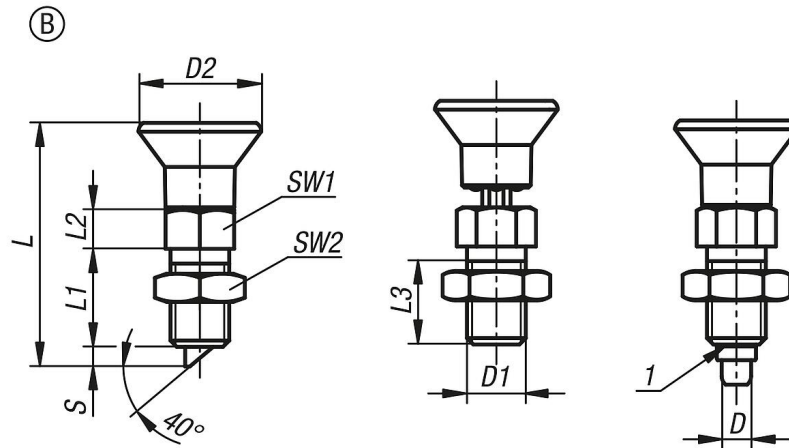
Special versions.

Accessory:

Spacer rings K0665

Indexing plungers with rotation lock and lead-in chamfer, style B

Drawings



| Order No. | style | Main material | D | D1 | D2 | L | L1 | L2 | L3 | Travel S | SW1 | SW2 | Spring force initial pressure F1 approx. N | Spring force final pressure F2 approx. N |
|--------------|-------|-----------------|---|---------|----|------|----|----|----|----------|-----|-----|--|--|
| K1300.22061 | B | steel | 6 | M12x1,5 | 25 | 49,7 | 20 | 8 | 17 | 4 | 14 | 19 | 8 | 14 |
| K1300.22060 | B | steel | 6 | M12 | 25 | 49,7 | 20 | 8 | 17 | 4 | 14 | 19 | 8 | 14 |
| K1300.23081 | B | steel | 8 | M16x1,5 | 33 | 66 | 26 | 10 | 23 | 6 | 19 | 24 | 20 | 35 |
| K1300.23080 | B | steel | 8 | M16 | 33 | 66 | 26 | 10 | 23 | 6 | 19 | 24 | 20 | 35 |
| K1300.022061 | B | stainless steel | 6 | M12x1,5 | 25 | 49,7 | 20 | 8 | 17 | 4 | 14 | 19 | 8 | 14 |
| K1300.022060 | B | stainless steel | 6 | M12 | 25 | 49,7 | 20 | 8 | 17 | 4 | 14 | 19 | 8 | 14 |
| K1300.023081 | B | stainless steel | 8 | M16x1,5 | 33 | 66 | 26 | 10 | 23 | 6 | 19 | 24 | 20 | 35 |
| K1300.023080 | B | stainless steel | 8 | M16 | 33 | 66 | 26 | 10 | 23 | 6 | 19 | 24 | 20 | 35 |