

## Knurled Nuts Flat steel and stainless steel, DIN 467

Item description/product images

METRIC  
Parts



### Description

**Material:**

Steel 1.0718.

Stainless steel 1.4305 (AISI 303 equivalent).

**Version:**

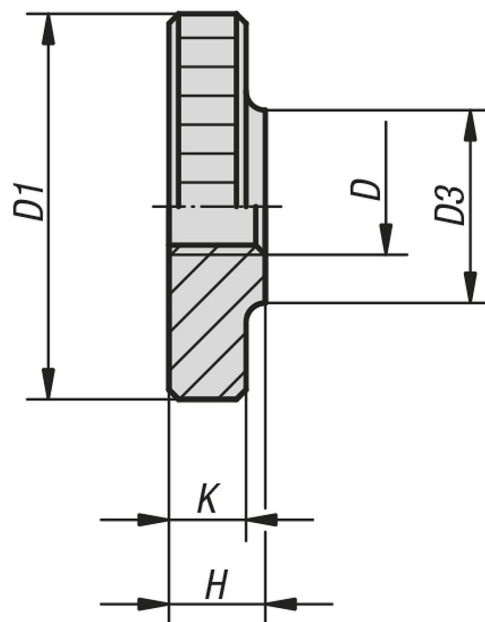
Steel black oxidized.

Stainless steel bright.

**Note:**

M12 flat knurled nuts are not included in the official standards sheet.

### Drawings



### Knurled nuts flat, steel and stainless steel, DIN 467

Item No.	Main material	D	D1	D3	H	K
K0144.04	free-cutting steel	M4	16	8	4	3,5
K0144.05	free-cutting steel	M5	20	10	5	4
K0144.06	free-cutting steel	M6	24	12	6	5
K0144.08	free-cutting steel	M8	30	16	8	6

**Knurled Nuts Flat steel and stainless steel, DIN 467**

Item No.	Main material	D	D1	D3	H	K
K0144.10	free-cutting steel	M10	36	20	10	8
K0144.12	free-cutting steel	M12	36	20	10	8
K0144.042	stainless steel	M4	16	8	4	3,5
K0144.052	stainless steel	M5	20	10	5	4
K0144.062	stainless steel	M6	24	12	6	5
K0144.082	stainless steel	M8	30	16	8	6
K0144.102	stainless steel	M10	36	20	10	8
K0144.122	stainless steel	M12	36	20	10	8