

Shaft collars set screw DIN 705, stainless steel , style A, recess

Item description/product images



Description

Material:

Stainless steel 1.4305 (AISI 303 equivalent).

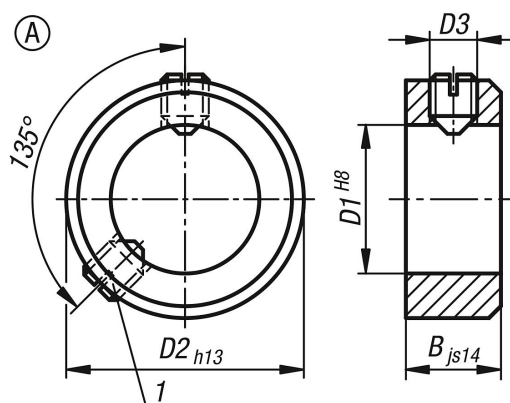
Version:

Bright.

Drawing reference:

1) Second grub screw from D1 ≥ 75

Drawings



Order No.	style	Component material	D1	B	D2	D3 grub screw
K0406.100302	A	stainless steel	3	5	7	M2x3
K0406.100402	A	stainless steel	4	5	8	M2,5x3
K0406.100502	A	stainless steel	5	6	10	M3x4
K0406.100602	A	stainless steel	6	8	12	M4x5
K0406.100702	A	stainless steel	7	8	12	M4x5
K0406.100802	A	stainless steel	8	8	16	M4x6
K0406.100902	A	stainless steel	9	10	18	M5x8
K0406.101002	A	stainless steel	10	10	20	M5x8
K0406.101102	A	stainless steel	11	10	20	M5x8
K0406.101202	A	stainless steel	12	12	22	M6x8
K0406.101402	A	stainless steel	14	12	25	M6x8
K0406.101502	A	stainless steel	15	12	25	M6x8
K0406.101602	A	stainless steel	16	12	28	M6x8
K0406.101802	A	stainless steel	18	14	32	M6x8
K0406.102002	A	stainless steel	20	14	32	M6x8
K0406.102402	A	stainless steel	24	16	40	M8x12
K0406.102502	A	stainless steel	25	16	40	M8x10

Shaft collars set screw DIN 705, stainless steel , style A, recess

Order No.	style	Component material	D1	B	D2	D3 grub screw
K0406.102602	A	stainless steel	26	16	40	M8x10
K0406.102802	A	stainless steel	28	16	45	M8x12
K0406.103002	A	stainless steel	30	16	45	M8x10
K0406.103202	A	stainless steel	32	16	50	M8x12
K0406.103502	A	stainless steel	35	16	56	M8x12
K0406.103602	A	stainless steel	36	16	56	M8x12
K0406.103802	A	stainless steel	38	16	56	M8x12
K0406.104002	A	stainless steel	40	18	63	M10x16
K0406.104202	A	stainless steel	42	18	63	M10x16
K0406.104502	A	stainless steel	45	18	70	M10x16
K0406.104802	A	stainless steel	48	18	70	M10x16
K0406.105002	A	stainless steel	50	18	80	M10x16
K0406.105202	A	stainless steel	52	18	80	M10x16
K0406.105502	A	stainless steel	55	18	80	M10x16
K0406.105602	A	stainless steel	56	18	80	M10x16
K0406.105802	A	stainless steel	58	20	90	M10x16
K0406.106002	A	stainless steel	60	20	90	M10x16
K0406.106302	A	stainless steel	63	20	90	M10x16
K0406.106502	A	stainless steel	65	20	100	M10x20
K0406.106802	A	stainless steel	68	20	100	M10x20
K0406.107002	A	stainless steel	70	20	100	M10x20
K0406.107202	A	stainless steel	72	20	100	M10x20
K0406.107502	A	stainless steel	75	22	110	M12x20
K0406.108002	A	stainless steel	80	22	110	M12x20
K0406.108502	A	stainless steel	85	22	125	M12x25
K0406.109002	A	stainless steel	90	22	125	M12x20
K0406.110002	A	stainless steel	100	25	140	M12x25