

Ball lock pins with mushroom grip stainless steel, adjustable

Item description/product images



Description

Material:

Mushroom grip, locknut, adjusting nut and push button, 1.4305 (AISI 303 equivalent) stainless steel.

Pin, 1.4305 (AISI 303 equivalent) stainless steel.

Balls, 1.4125 (AISI 440C equivalent) stainless steel.

Compression spring, 1.4310 (AISI 301 equivalent) stainless steel.

Version:

Bright.

Note:

Ball lock pins are used for easy fastening or joining of components or workpieces. The two balls are disengaged by pressing the push button and the pin can be slipped into holes in the workpieces. When the push button is released, the balls lock the connection securely.

The length range is infinitely adjustable using the locknut and adjusting nut. This enables play-free positioning on the workpiece.

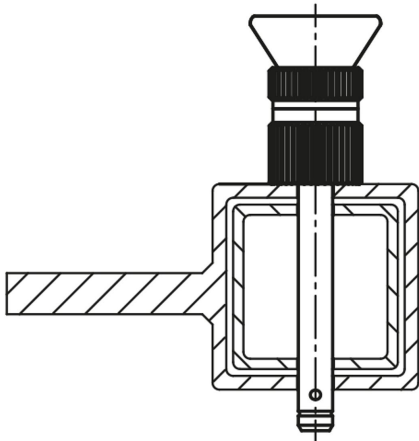
Shear force double shear (F) = S · τ aB max.

The values given for the shear force are the theoretical breaking load.

These are non-binding reference values without consideration of safety factors and exclude any liability. The values given are for information purposes only and do not constitute a legally binding assurance of properties.

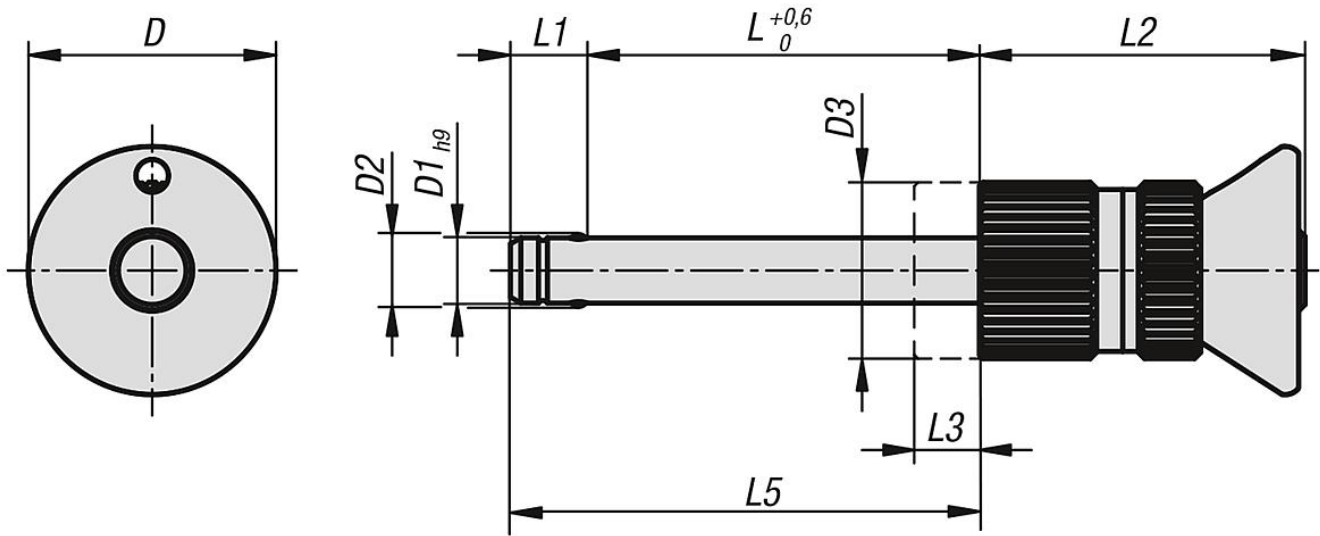
The load values have been calculated in accordance with DIN 50141. Each user must determine individually whether the ball lock pin is suitable for the respective application.

Different materials in which the ball lock pins are used, weather conditions and wear can influence the determined values.



Ball lock pins with mushroom grip stainless steel, adjustable

Drawings



Ball lock pins with mushroom grip, stainless steel, adjustable

Order No.	D	D1	D2	D3	L	L1	L2	L3	L5	Receiving hole H11	Shearing force double shear max.kN
K1299.03516050	35	16	19	26	38-50	13,1	39,5	12	51,1-63,1	16	153
K1299.02508035	25	8	9,5	17	25-35	7,8	33	10	32,8-42,8	8	38
K1299.03512025	35	12	14,5	26	13-25	9,9	39,5	12	22,9-34,9	12	86
K1299.03516070	35	16	19	26	58-70	13,1	39,5	12	71,1-83,1	16	153
K1299.01905020	19	5	5,5	13,5	12-20	5,9	25	8	17,9-25,9	5	15
K1299.01906045	19	6	6,85	13,5	37-45	6,8	25	8	43,8-51,8	6	22
K1299.03512080	35	12	14,5	26	68-80	9,9	39,5	12	77,9-89,9	12	86
K1299.03512070	35	12	14,5	26	58-70	9,9	39,5	12	67,9-79,9	12	86
K1299.03512035	35	12	14,5	26	23-35	9,9	39,5	12	32,9-44,9	12	86
K1299.02508050	25	8	9,5	17	40-50	7,8	33	10	47,8-57,8	8	38
K1299.02510030	25	10	12	17	20-30	8,9	33	10	28,9-38,9	10	60
K1299.02510050	25	10	12	17	40-50	8,9	33	10	48,9-58,9	10	60
K1299.02510040	25	10	12	17	30-40	8,9	33	10	38,9-48,9	10	60
K1299.03516060	35	16	19	26	48-60	13,1	39,5	12	61,1-73,1	16	153
K1299.01906035	19	6	6,85	13,5	27-35	6,8	25	8	33,8-41,8	6	22
K1299.03516035	35	16	19	26	23-35	13,1	39,5	12	36,1-48,1	16	153
K1299.03512040	35	12	14,5	26	28-40	9,9	39,5	12	37,9-49,9	12	86
K1299.03512060	35	12	14,5	26	48-60	9,9	39,5	12	57,9-69,9	12	86
K1299.01906050	19	6	6,85	13,5	42-50	6,8	25	8	48,8-56,8	6	22
K1299.01906015	19	6	6,85	13,5	7-15	6,8	25	8	13,8-21,8	6	22
K1299.02508030	25	8	9,5	17	20-30	7,8	33	10	27,8-37,8	8	38
K1299.02510060	25	10	12	17	50-60	8,9	33	10	58,9-68,9	10	60
K1299.01905015	19	5	5,5	13,5	7-15	5,9	25	8	12,9-20,9	5	15
K1299.03512045	35	12	14,5	26	33-45	9,9	39,5	12	42,9-54,9	12	86
K1299.02508040	25	8	9,5	17	30-40	7,8	33	10	37,8-47,8	8	38
K1299.02508020	25	8	9,5	17	10-20	7,8	33	10	17,8-27,8	8	38
K1299.01905030	19	5	5,5	13,5	22-30	5,9	25	8	27,9-35,9	5	15
K1299.03512050	35	12	14,5	26	38-50	9,9	39,5	12	47,9-59,9	12	86
K1299.02508025	25	8	9,5	17	15-25	7,8	33	10	22,8-32,8	8	38
K1299.01906040	19	6	6,85	13,5	32-40	6,8	25	8	38,8-46,8	6	22
K1299.02510045	25	10	12	17	35-45	8,9	33	10	43,9-53,9	10	60
K1299.01905025	19	5	5,5	13,5	17-25	5,9	25	8	22,9-30,9	5	15
K1299.03516045	35	16	19	26	33-45	13,1	39,5	12	46,1-58,1	16	153
K1299.01906020	19	6	6,85	13,5	12-20	6,8	25	8	18,8-26,8	6	22
K1299.03516040	35	16	19	26	28-40	13,1	39,5	12	41,1-53,1	16	153

Ball lock pins with mushroom grip stainless steel, adjustable

Order No.	D	D1	D2	D3	L	L1	L2	L3	L5	Receiving hole H11	Shearing force double shear max.kN
K1299.03516030	35	16	19	26	18-30	13,1	39,5	12	31,1-43,1	16	153
K1299.03512030	35	12	14,5	26	18-30	9,9	39,5	12	27,9-39,9	12	86
K1299.03516080	35	16	19	26	68-80	13,1	39,5	12	81,1-93,1	16	153
K1299.02510020	25	10	12	17	10-20	8,9	33	10	18,9-28,9	10	60
K1299.01906010	19	6	6,85	13,5	2-10	6,8	25	8	8,8-16,8	6	22
K1299.02510025	25	10	12	17	15-25	8,9	33	10	23,9-33,9	10	60
K1299.02508045	25	8	9,5	17	35-45	7,8	33	10	42,8-52,8	8	38
K1299.01906025	19	6	6,85	13,5	17-25	6,8	25	8	23,8-31,8	6	22
K1299.01906030	19	6	6,85	13,5	22-30	6,8	25	8	28,8-36,8	6	22
K1299.02510035	25	10	12	17	25-35	8,9	33	10	33,9-43,9	10	60
K1299.01905010	19	5	5,5	13,5	2-10	5,9	25	8	7,9-15,9	5	15