

Handwheels disc stainless steel with revolving grip

Item description/product images



Description

Material:

Stainless steel 1.4301 (AISI 304 equivalent).

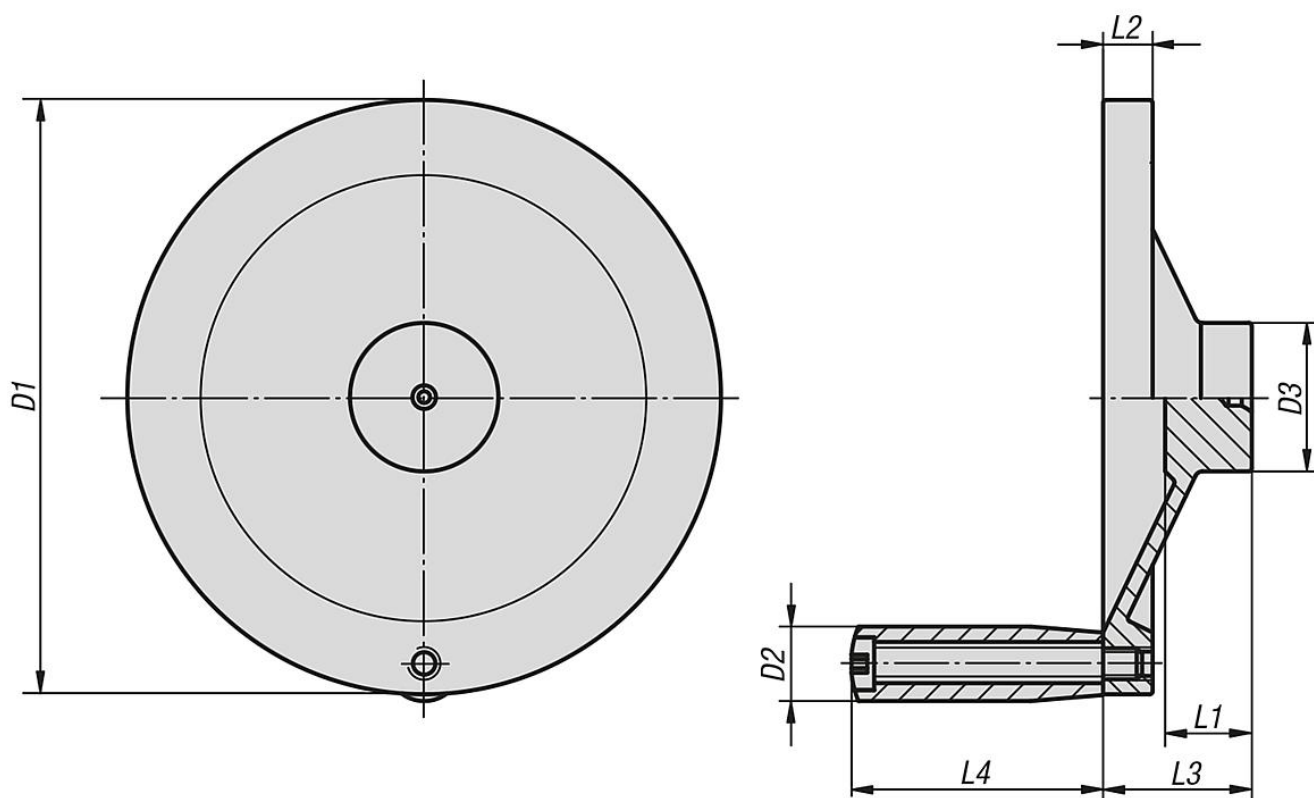
Version:

Turned, bright.
Hub is center bored.

On request:

Stainless steel 1.4401 (AISI 316 equivalent).
Stainless steel 1.4404 (AISI 316L equivalent).
Stainless steel 1.4571 (AISI 316 Ti equivalent).

Drawings



Handwheels disc stainless steel, with revolving grip

Order No.	D1	D2	D3	L1	L2	L3	L4
K1307.4203X00	203,2	22,1	45,7	24,13	14,22	45,7	76,2
K1307.4101X00	101,6	11,94	25,9	18,03	7,87	31,7	39,88
K1307.4254X00	254	22,1	50,8	26,67	15,75	50,8	76,2
K1307.4152X00	152,4	19,05	38,1	22,1	12,7	38,1	63,5
K1307.4076X00	76,2	9,91	22,1	17,02	6,1	27,9	37,9

